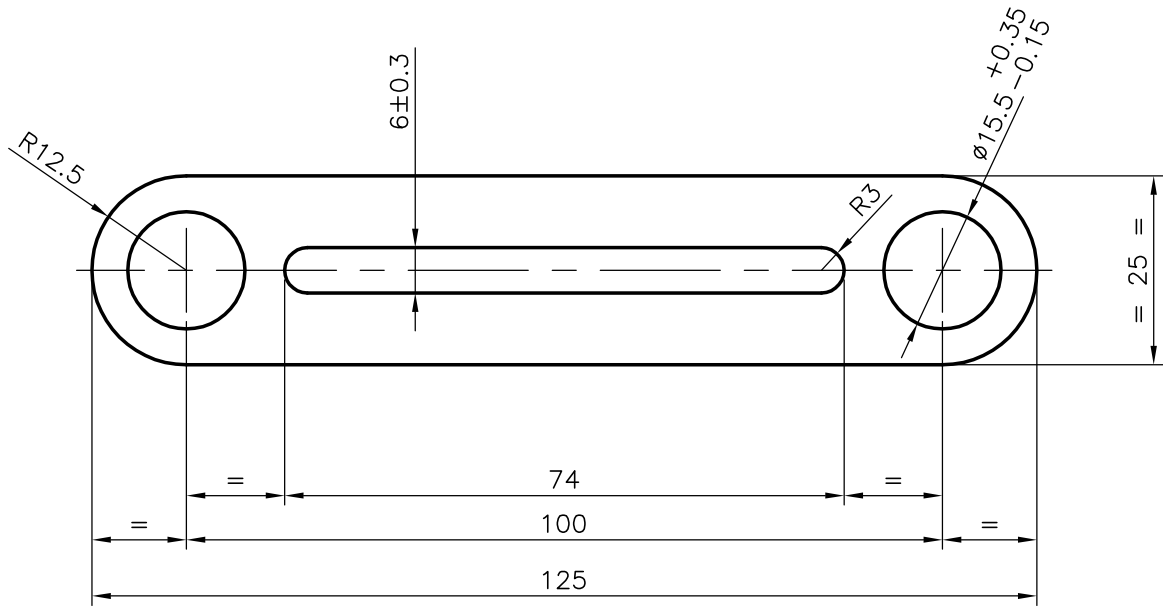



P-5880
S1608
29063



 SYMBOL OF QUALITY AN ISO 9001 COMPANY	<b>JINDAL ALUMINIUM LTD.</b> BANGALORE-560073 (INDIA)	NAME	DATE
		DRAWN	J.P.KAUSHIK 19-09-2005
1. ALL DIMENSIONS ARE IN mm. 2. ROUND OFF ALL SHARP CORNERS WITH 0.40 mm. 3. TOLERANCES WILL BE AS PER IS:6477-1983 UNLESS OTHERWISE SPECIFIED		CHECKED	
		APPROVED	
PARTY'S NAME CONFIDENT DENTAL EQUIPMENTS LTD., BANGALORE		SCALE	1:1
		AREA mm <sup>2</sup>	2177.216
PARTY'S DRAWING No. FN 454204		PERIMETER mm.	278.54
		WEIGHT kg/m	5.878
ALLOY & TEMPER HE9 WP		DRAWING No.	SECTION No.
		P-5880	-
DESCRIPTION MISC. HOLLOW SECTION		S1608	S1608
		29063	29063