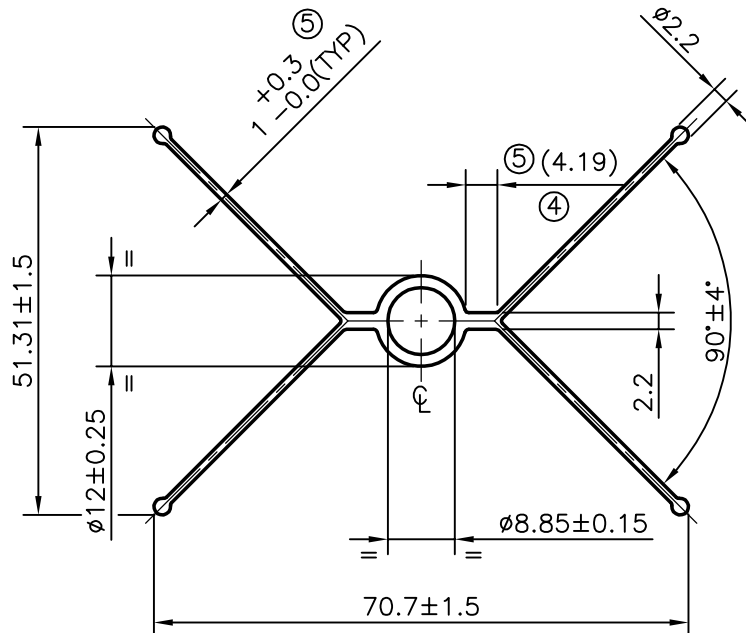


P-7779-1

29119

ISSUE - 5

THICKNESS CHANGED FROM 1.10 TO 1.0 mm DIMENSIONS CHANGED FROM 4.12 TO 4.19 & WEIGHT ALSO CHANGED FROM 0.623 Kg/M TO 0.587 Kg/M



ISSUE - 4
DIMENSION ADDED

SECTION IS SYMMETRICAL ABOUT CENTRE LINE

FLATNESS = ± 0.125 mm/ 25 mm WIDTH

STRAIGHTNESS = 1.50 mm/1000 mm LENGTH

UNSPECIFIED RADIUS R0.50 mm



SYMBOL OF QUALITY
AN ISO 9001 COMPANY

JINDAL ALUMINIUM LTD.
BANGALORE-560073 (INDIA)

	NAME	DATE
DRAWN	J.P.KAUSHIK	30-07-2009
CHECKED		
APPROVED		
SCALE		1:1
AREA mm ²		217.496
PERIMETER mm.		335.892
WEIGHT kg/m		0.587
DRAWING No.	SECTION No.	
P-7779-1	-	
29119	29119-ISSUE-5	

1. ALL DIMENSIONS ARE IN mm.
2. ROUND OFF ALL SHARP CORNERS WITH 0.50 mm.
3. TOLERANCES WILL BE AS PER BS:EN-755 UNLESS OTHERWISE SPECIFIED

PARTY'S NAME BACKER BHV, SWEDEN

PARTY'S DRAWING No. 50 47 20

ALLOY & TEMPER 6063 T4

DESCRIPTION MISC. SECTION