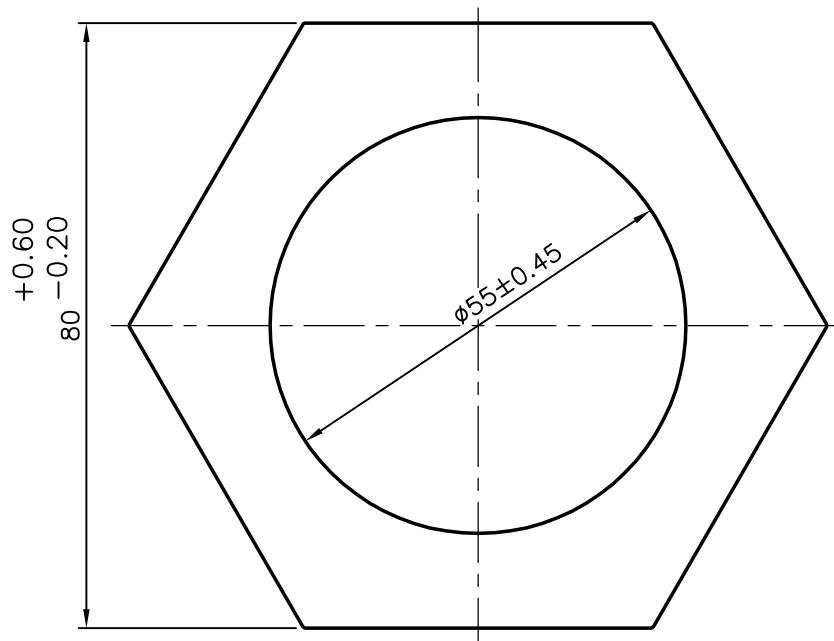


P-6117-1

S1692

29124



SYMBOL OF QUALITY
AN ISO 9001 COMPANY

JINDAL ALUMINIUM LTD.
BANGALORE-560073 (INDIA)

	NAME	DATE
DRAWN	MALINGAPPA	13-01-2006
CHECKED		
APPROVED		

1. ALL DIMENSIONS ARE IN mm.
2. ROUND OFF ALL SHARP CORNERS WITH 0.40 mm.
3. TOLERANCES WILL BE AS PER IS:6477-1983 UNLESS OTHERWISE SPECIFIED

SCALE	1:1
AREA mm ²	3166.682
PERIMETER mm.	276.87
WEIGHT kg/m	8.550

PARTY'S NAME	BRITISH ENGINES (INDIA) PVT. LTD., BANGALORE	DRAWING No.	P-6117-1	SECTION No.	-
PARTY'S DRAWING No.	AS PER SPECIFICATION	S1692	S1692	29124	29124
ALLOY & TEMPER	6082 T6	29124	29124		
DESCRIPTION	HEXAGONAL TUBE				