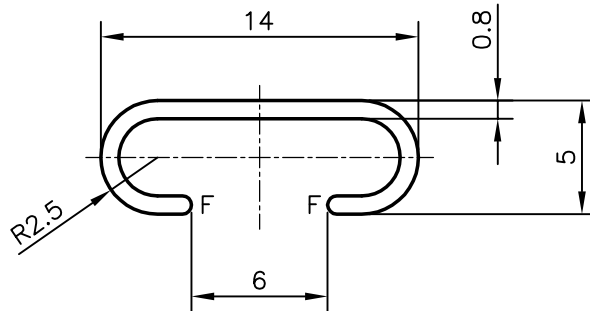
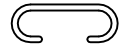


P-7945

29141



F = FULL RADIUS (2 PLACES)



SYMBOL OF QUALITY
AN ISO 9001 COMPANY

JINDAL ALUMINIUM LTD.
BANGALORE-560073 (INDIA)

	NAME	DATE
DRAWN	PRASANNA.H	25-02-2008
CHECKED		
APPROVED		
SCALE		3:1
AREA mm ²		20.018
PERIMETER mm.		51.303
WEIGHT kg/m		0.054
DRAWING No.	SECTION No.	
P-7945	-	
29141	29141	

1. ALL DIMENSIONS ARE IN mm.
2. ROUND OFF ALL SHARP CORNERS WITH 0.40 mm.
3. TOLERANCES WILL BE AS PER IS:3965-1981 UNLESS OTHERWISE SPECIFIED

PARTY'S NAME	HINDUSTAN AERONAUTICS LTD., KANPUR
PARTY'S DRAWING No.	A-122110AO5G
ALLOY & TEMPER	6063 T6
DESCRIPTION	C-PROFILE