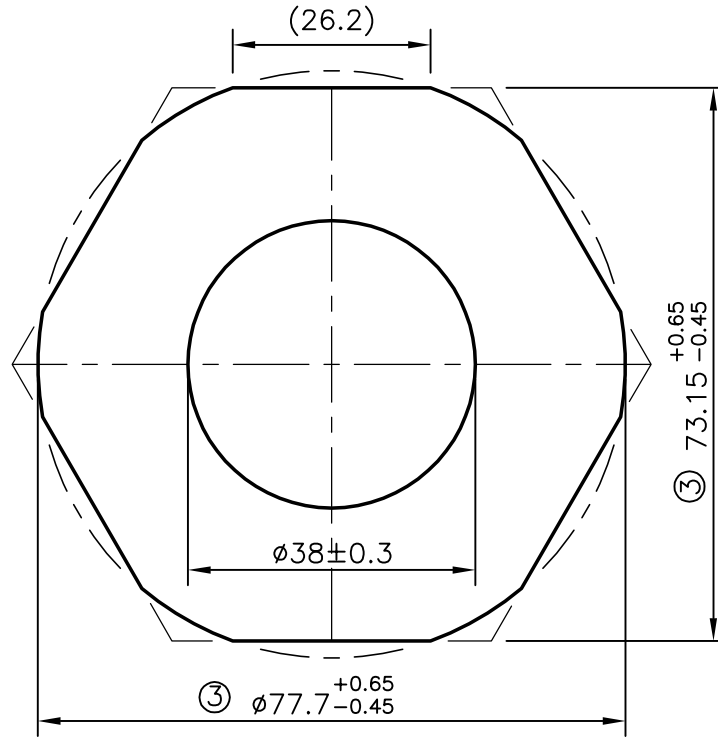


P-6835-2


S1901

29183



ISSUE - ③ TOLERANCE CHANGED FROM 77.7 ± 0.45 TO $\phi 77.7 \begin{smallmatrix} +0.65 \\ -0.45 \end{smallmatrix}$
 AND 73.15 ± 0.45 TO $73.15 \begin{smallmatrix} +0.65 \\ -0.45 \end{smallmatrix}$ AND OUTER SHAPE ALSO
 CHANGED AS PER CUSTOMER REQUIRMENT

UNSPECIFIED CORNER RADIUS WILL BE 0.40mm

 SYMBOL OF QUALITY AN ISO 9002 COMPANY	JINDAL ALUMINIUM LTD. BANGALORE-560073 (INDIA)	DRAWN	NAME	DATE
		CHECKED	RAGHAVENDRA	14-06-2007
1. ALL DIMENSIONS ARE IN mm. 2. ROUND OFF ALL SHARP CORNERS WITH 0.40 mm. 3. TOLERANCES WILL BE AS PER DIN 17615 UNLESS OTHERWISE SPECIFIED		APPROVED		
		SCALE	1:1	
PARTY'S NAME BRITISH ENGINES INDIA (P) LTD., BANGALORE		AREA mm ²	3367.722	
		PERIMETER mm.	240.96	
PARTY'S DRAWING No. AS PER SPECIFICATION		WEIGHT kg/m	9.093	
		DRAWING No.	SECTION No.	
ALLOY & TEMPER 6082 T6		P-6835-2	-	
		S1901	S1901-ISSUE-3	
		29183	29183	