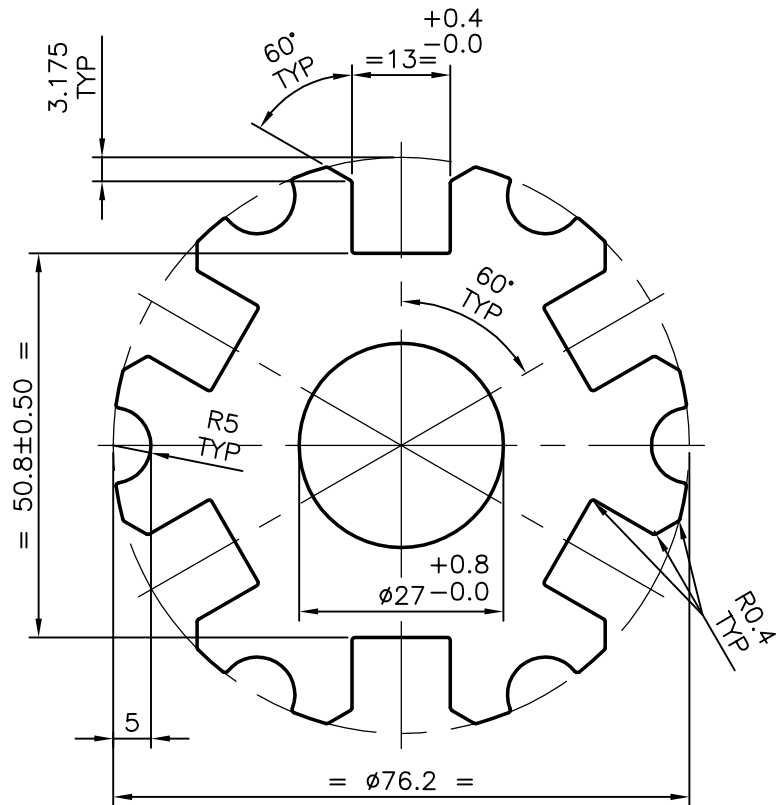


P-6485-1

S1784

29236



SYMBOL OF QUALITY
AN ISO 9001 COMPANY

JINDAL ALUMINIUM LTD.
BANGALORE-560073 (INDIA)

	NAME	DATE
DRAWN	malingappa	16-06-2006
CHECKED		
APPROVED		

1. ALL DIMENSIONS ARE IN mm.
2. ROUND OFF ALL SHARP CORNERS WITH 0.40 mm.
3. TOLERANCES WILL BE AS PER IS:6477-1983 UNLESS OTHERWISE SPECIFIED

SCALE	1:1
AREA mm ²	2729.895
PERIMETER mm.	383.727
WEIGHT kg/m	7.371

PARTY'S NAME	BPL TELECOM PRIVATE LIMITED, PALAKKAD
PARTY'S DRAWING No.	427 114 801
ALLOY & TEMPER	6063 T6
DESCRIPTION	MISC. SECTION (HUB)

DRAWING No.	SECTION No.
P-6485-1	-
S1784	S1784
29236	29236