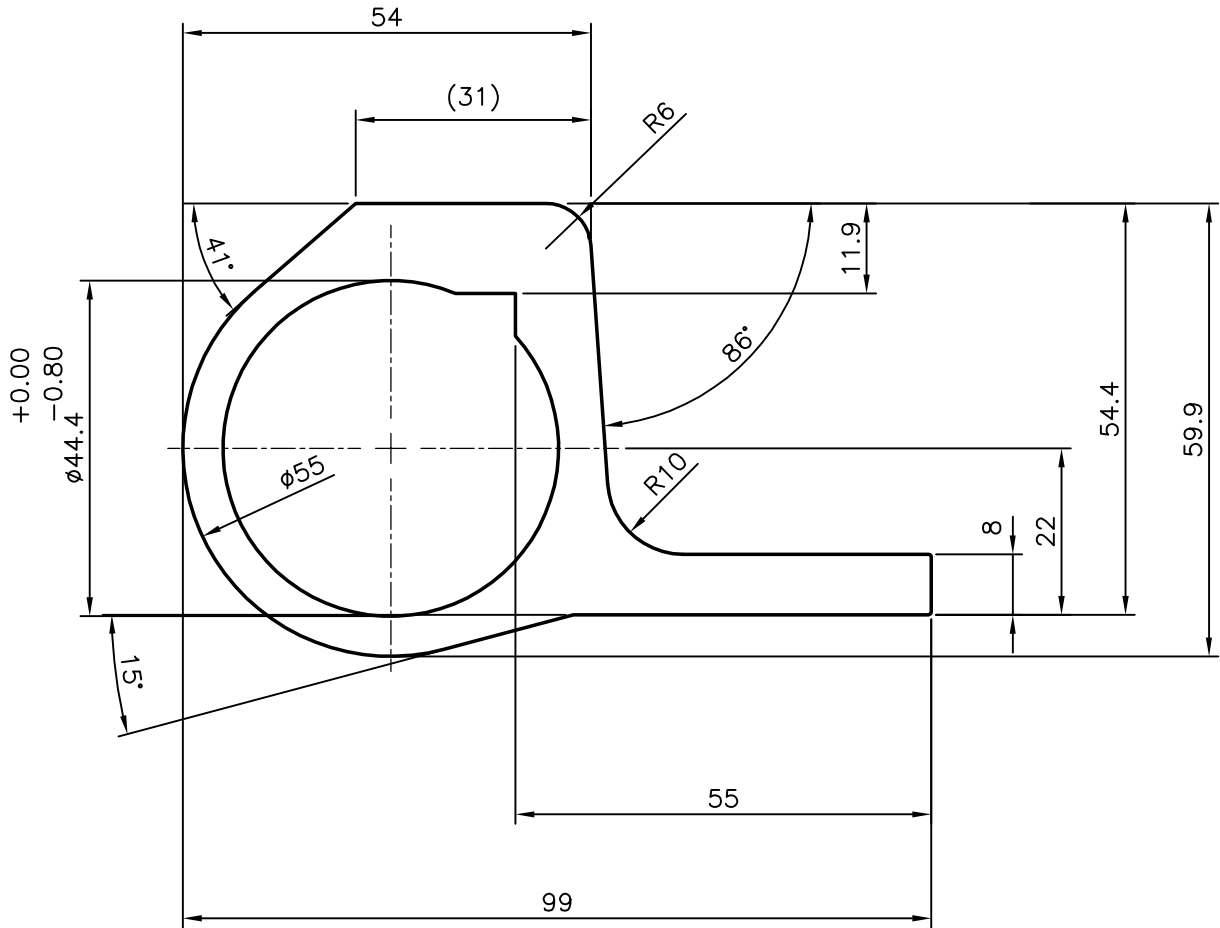



P-6656
S1852
29286



 SYMBOL OF QUALITY AN ISO 9001 COMPANY	JINDAL ALUMINIUM LTD. BANGALORE-560073 (INDIA)	DRAWN	J.P.KAUSHIK	DATE	08-09-2006
		CHECKED			
1. ALL DIMENSIONS ARE IN mm. 2. ROUND OFF ALL SHARP CORNERS WITH 0.40 mm. 3. TOLERANCES WILL BE AS PER IS:6477-1983 UNLESS OTHERWISE SPECIFIED		APPROVED			
		SCALE			1:1
PARTY'S NAME STORK RUBBER PRODUCTS (P) LTD., GURGAON		AREA mm ²			1614.836
		PERIMETER mm.			277.894
PARTY'S DRAWING No. AS PER SAMPLE		WEIGHT kg/m			4.360
		DRAWING No.	P-6656	SECTION No.	-
ALLOY & TEMPER 6063 T6			S1852		S1852
			29286		29286
DESCRIPTION MISC. SECION					