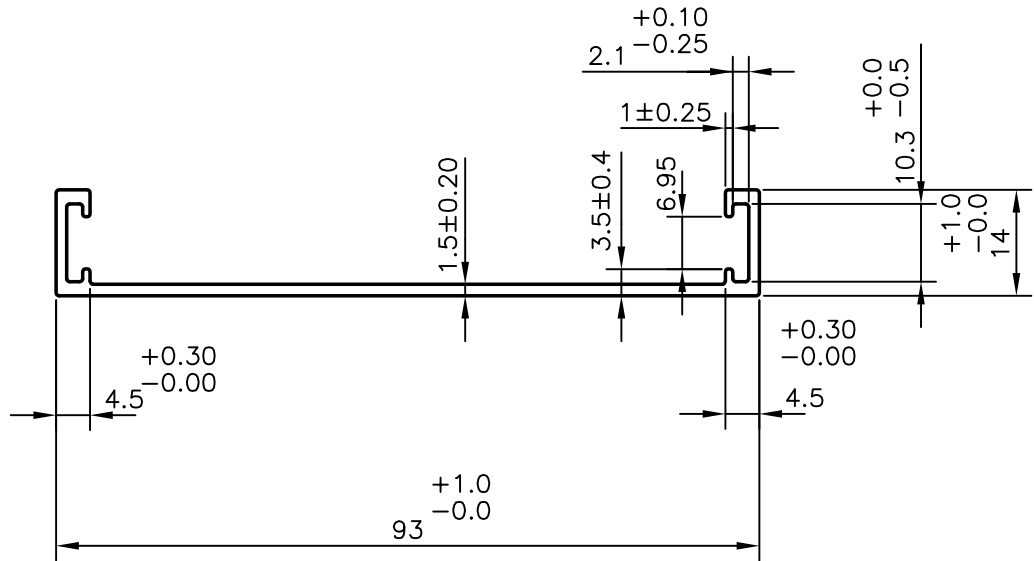


P-6658-1

S1855

29288



FLATNESS =0.60mm



SYMBOL OF QUALITY
AN ISO 9001 COMPANY

JINDAL ALUMINIUM LTD.
BANGALORE-560073 (INDIA)

	NAME	DATE
DRAWN	J.P.KAUSHIK	18-09-2006
CHECKED		
APPROVED		

1. ALL DIMENSIONS ARE IN mm.
2. ROUND OFF ALL SHARP CORNERS WITH 0.40 mm.
3. TOLERANCES WILL BE AS PER IS:3965-1981 UNLESS OTHERWISE SPECIFIED

SCALE	1:1
AREA mm ²	194.817
PERIMETER mm.	260.845
WEIGHT kg/m	0.526

PARTY'S NAME AAF INDIA PVT. LTD., BANGALORE

PARTY'S DRAWING No. 997-007

ALLOY & TEMPER 6063 T6

DESCRIPTION MISC. SECTION

DRAWING No.	SECTION No.
P-6658-1	-
S1855	S1855
29288	29288