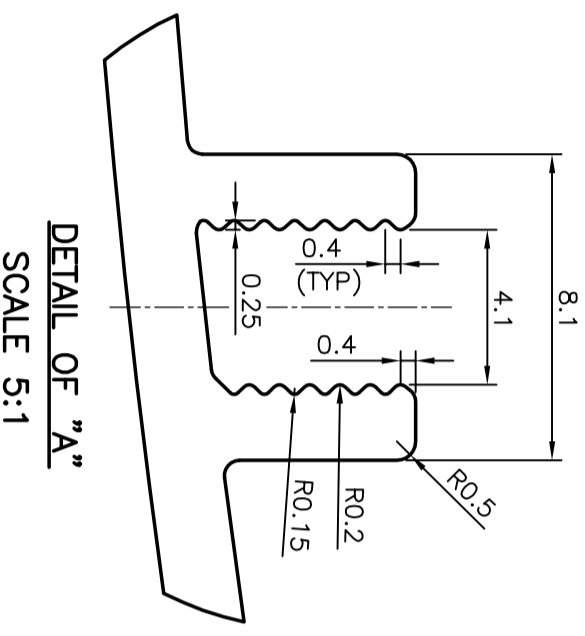
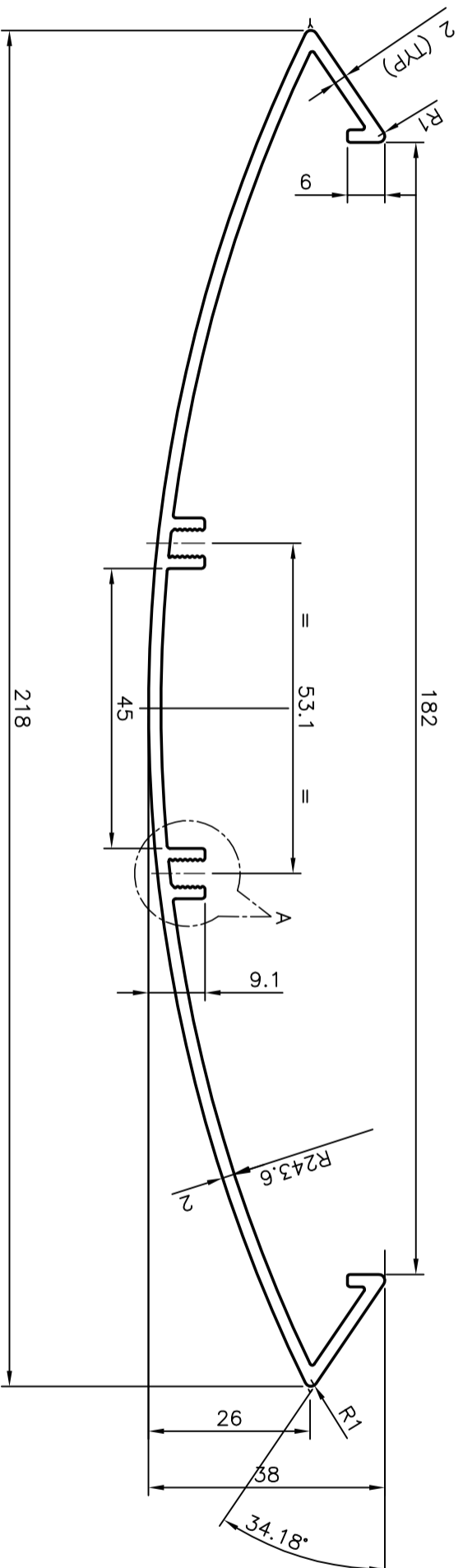



P-6978
X679
29310



GENERAL WALL THICKNESS = 2 mm

 <b>JINDAL ALUMINIUM LTD.</b> BANGALORE-560073 (INDIA)		SYMBOL OF QUALITY AN ISO 9001 COMPANY	NAME PRASANN. H	DATE 17-01-2007	
1. ALL DIMENSIONS ARE IN mm. 2. ROUND OFF ALL SHARP CORNERS WITH 0.40 mm. 3. TOLERANCES WILL BE AS PER IS:3965-1981 UNLESS OTHERWISE SPECIFIED		SCALE 1:1	CHECKED APPROVED	AREA mm <sup>2</sup> PERIMETER mm. WEIGHT kg/m	584.076 586.261 1.577
PARTY'S NAME KESELEC INDIA PVT. LTD., FARIDABAD	PARTY'S DRAWING No. K27/150/A3-A	DRAWING No. P-6978	SECTION No. -	AREA mm <sup>2</sup> PERIMETER mm. WEIGHT kg/m	584.076 586.261 1.577
ALLOY & TEMPER HE9 WP	DESCRIPTION BODY PROFILE	DRAWING No. X679 29310	SECTION No. X679 29310	AREA mm <sup>2</sup> PERIMETER mm. WEIGHT kg/m	584.076 586.261 1.577