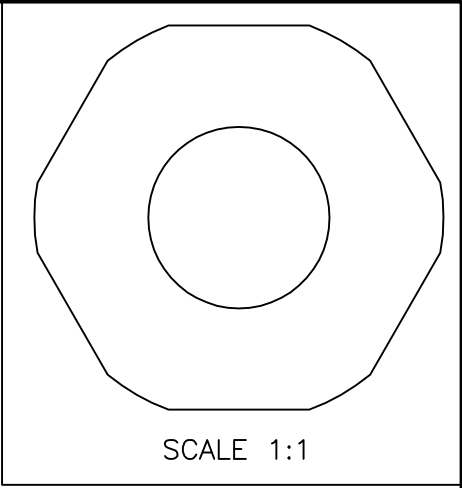
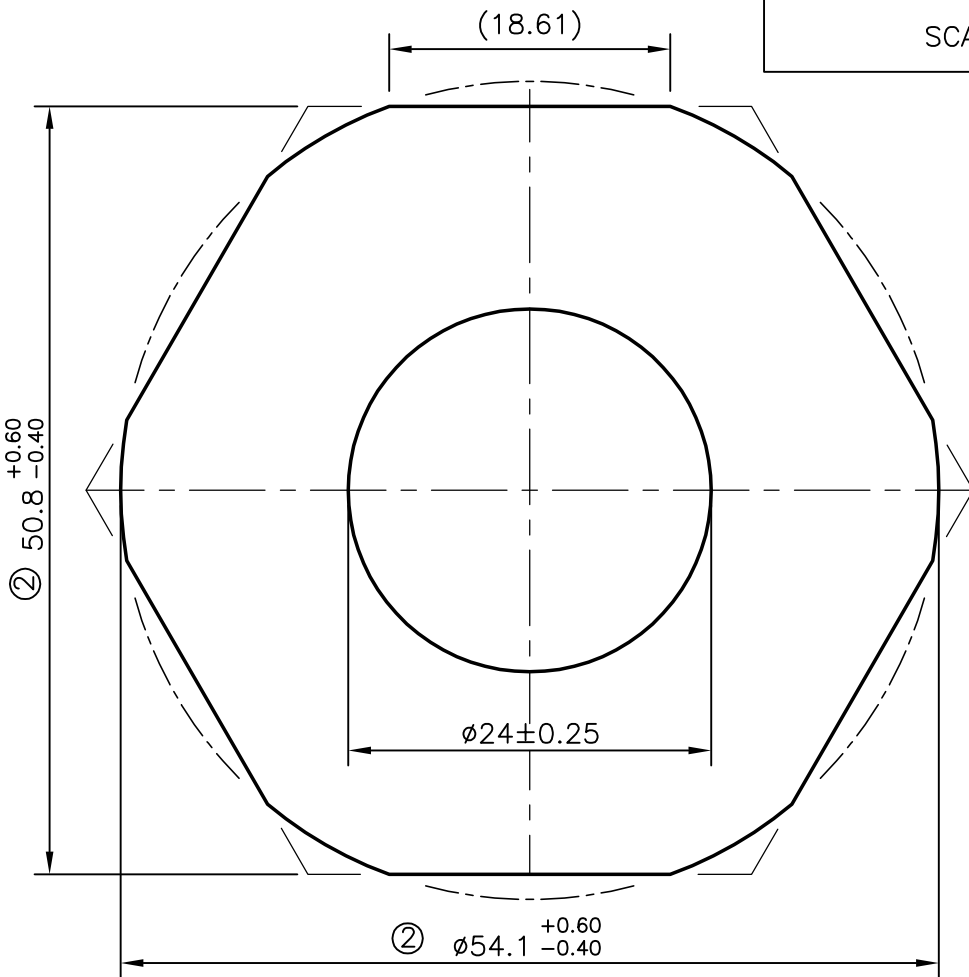



P-6832-2
S1898
29312



UNSPECIFIED CORNER RADIUS WILL BE 0.40mm



ISSUE - ② TOLERANCE CHANGED FROM 54.1 ± 0.4 TO $\phi 54.1 \begin{smallmatrix} +0.60 \\ -0.40 \end{smallmatrix}$
AND 50.8 ± 0.4 TO $50.8 \begin{smallmatrix} +0.60 \\ -0.40 \end{smallmatrix}$ AND OUTER SHAPE ALSO
CHANGED AS PER CUSTOMER REQUIRMENT

 SYMBOL OF QUALITY AN ISO 9002 COMPANY	JINDAL ALUMINIUM LTD. BANGALORE-560073 (INDIA)	NAME		DATE
		DRAWN	RAGHAVENDRA	14-06-2007
1. ALL DIMENSIONS ARE IN mm. 2. ROUND OFF ALL SHARP CORNERS WITH 0.40 mm. 3. TOLERANCES WILL BE AS PER DIN 17615 UNLESS OTHERWISE SPECIFIED		CHECKED		
		APPROVED		
PARTY'S NAME BRITISH ENGINES INDIA (P) LTD., BANGALORE		SCALE		2:1
		AREA mm ²		1722.755
PARTY'S DRAWING No. AS PER SPECIFICATION		PERIMETER mm.		167.633
		WEIGHT kg/m		4.651
ALLOY & TEMPER 6262 T6		DRAWING No.		SECTION No.
		P-6832-2		-
DESCRIPTION HEXAGONAL TUBE		S1898		S1898-ISSUE-2
		29312		29312