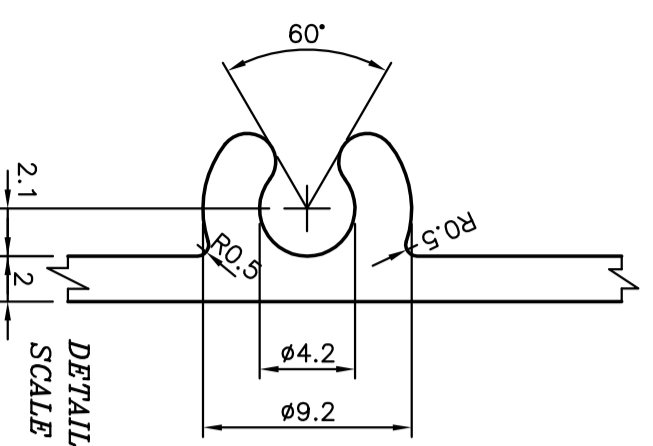
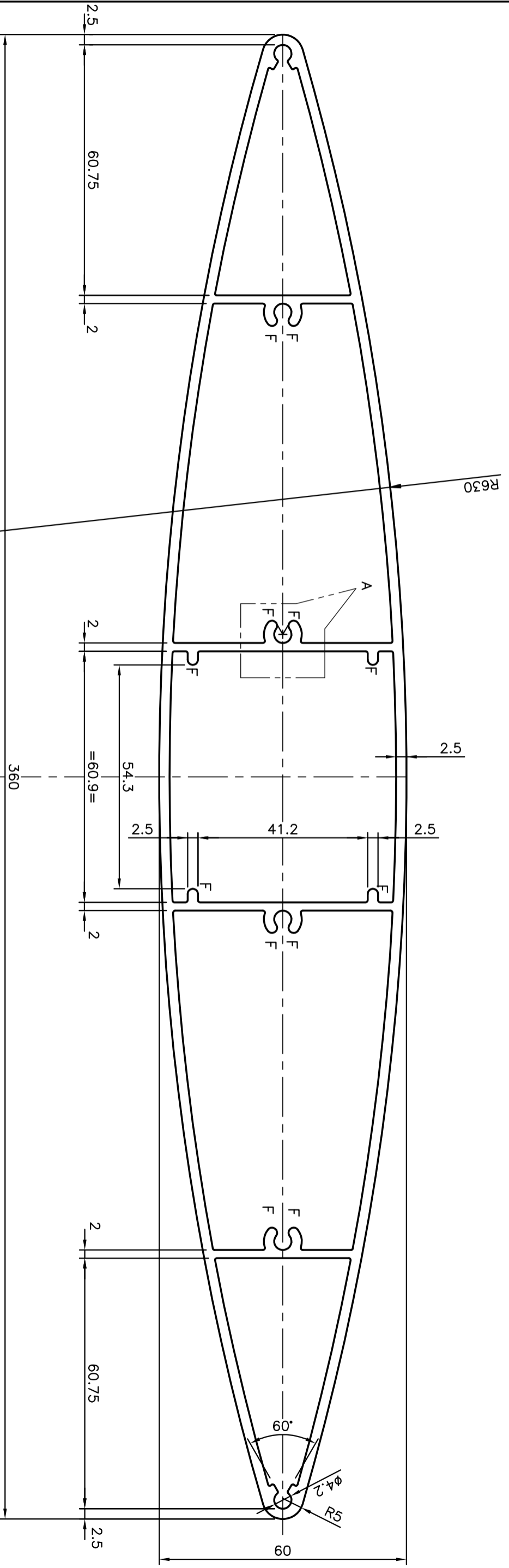



P-9105-1
S2107
29332
X1185
29332



DETAIL OF "A"  
SCALE 3:1

F = FULL RADIUS (12 PLACES)

 <p>SYMBOL OF QUALITY AN ISO 9001 COMPANY</p>		<p><b>JINDAL ALUMINIUM LTD.</b> BANGALORE-560073 (INDIA)</p>		<p>NAME J.P. KAUSHIK</p>	<p>DATE 12-03-2009</p>
<p>1. ALL DIMENSIONS ARE IN mm. 2. ROUND OFF ALL SHARP CORNERS WITH 0.4 mm. 3. TOLERANCES WILL BE AS PER IS:6477-1983 UNLESS OTHERWISE SPECIFIED</p>		<p>SCALE 1:1</p>	<p>AREA mm<sup>2</sup> 2346.64</p>	<p>CHECKED</p>	<p>PERIMETER mm. 740.901</p>
<p>PARTY'S NAME SCHUCO INTERNATIONAL KG (SP FAB)</p>	<p>PARTY'S DRAWING No. 327740</p>	<p>WEIGHT kg/m 6.336</p>	<p>DRAWING No. P-9105-1</p>	<p>APPROVED</p>	<p>SECTION No. -</p>
<p>ALLOY &amp; TEMPER 6063 T6</p>	<p>DESCRIPTION AEROFOIL - LOUVER SECTION</p>	<p>DRAWING No. S2107</p>	<p>DRAWING No. 29332</p>	<p>DRAWING No. X1185</p>	<p>DRAWING No. 29332</p>