

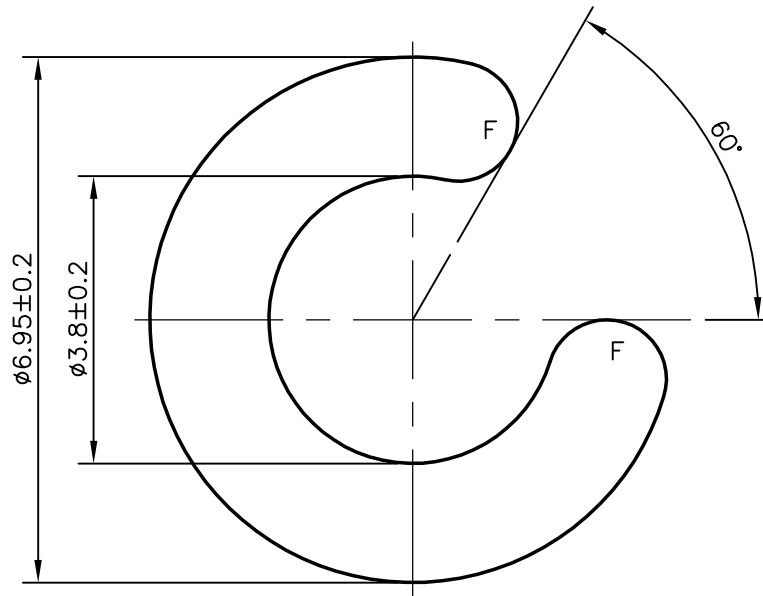
P-7363-1

S2018

29354




SCALE 1:1



NOTE:-

1. F = FULL RADIUS (2 PLACES)

 SYMBOL OF QUALITY AN ISO 9001 COMPANY	JINDAL ALUMINIUM LTD. BANGALORE-560073 (INDIA)	DRAWN	NAME	DATE
		CHECKED	PRASANN.H	26-06-2007
1. ALL DIMENSIONS ARE IN mm. 2. ROUND OFF ALL SHARP CORNERS WITH 0.40 mm. 3. TOLERANCES WILL BE AS PER IS:3965-1981 UNLESS OTHERWISE SPECIFIED		APPROVED		
		SCALE		10:1
PARTY'S NAME JAYDEE UTILITY CONSULTANTS PVT. LTD., BANGALORE		AREA mm ²		21.594
		PERIMETER mm.		29.895
PARTY'S DRAWING No. AS PER DRAWING		WEIGHT kg/m		0.058
		DRAWING No.		SECTION No.
ALLOY & TEMPER HE9 WP		P-7363-1		-
		S2018		S2018
DESCRIPTION MISC. SECTION		29354		29354