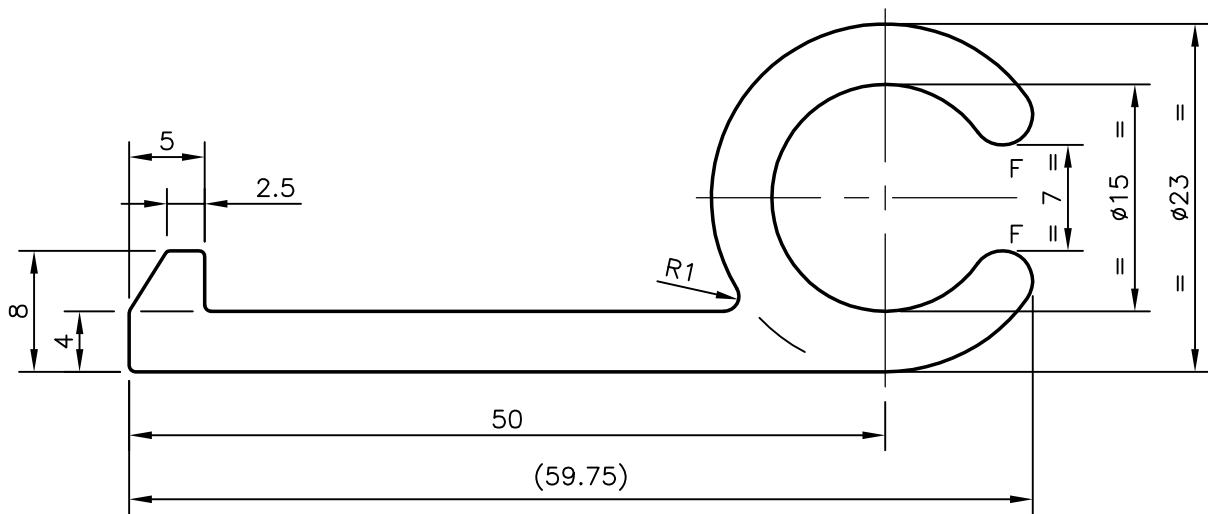
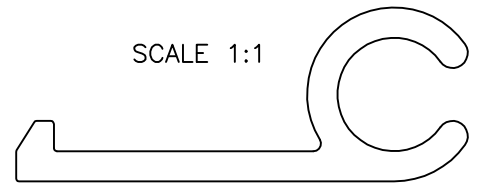


P-7338-2

S2013


29358

SCALE 1:1



NOTE:-

- 1. F = FULL RADIUS (2 PLACES)

 SYMBOL OF QUALITY AN ISO 9001 COMPANY	<b>JINDAL ALUMINIUM LTD.</b> BANGALORE-560073 (INDIA)	DRAWN	NAME	DATE
		CHECKED	PRASANN.H	03-07-2007
1. ALL DIMENSIONS ARE IN mm. 2. ROUND OFF ALL SHARP CORNERS WITH 0.40 mm. 3. TOLERANCES WILL BE AS PER IS:3965-1981 UNLESS OTHERWISE SPECIFIED		APPROVED		
		SCALE		2:1
PARTY'S NAME POLYKLAD STRUCTURALS PVT. LTD., BANGALORE		AREA mm <sup>2</sup>		395.969
		PERIMETER mm.		197.807
PARTY'S DRAWING No. PSPL/41/001/1		WEIGHT kg/m		1.069
		DRAWING No.		SECTION No.
ALLOY & TEMPER HE9 WP		P-7338-2		-
		S2013		S2013
DESCRIPTION MISC. PROFILE		29358		29358