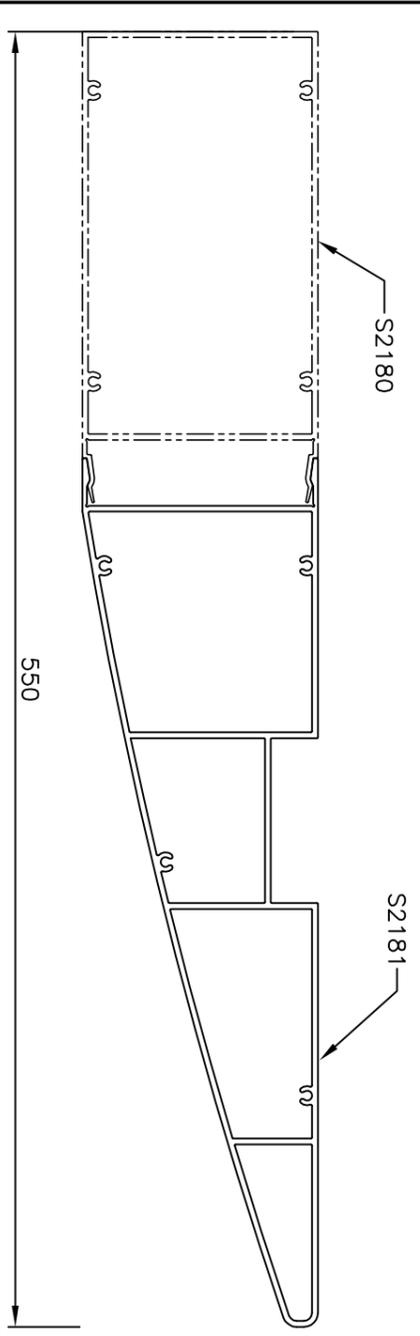
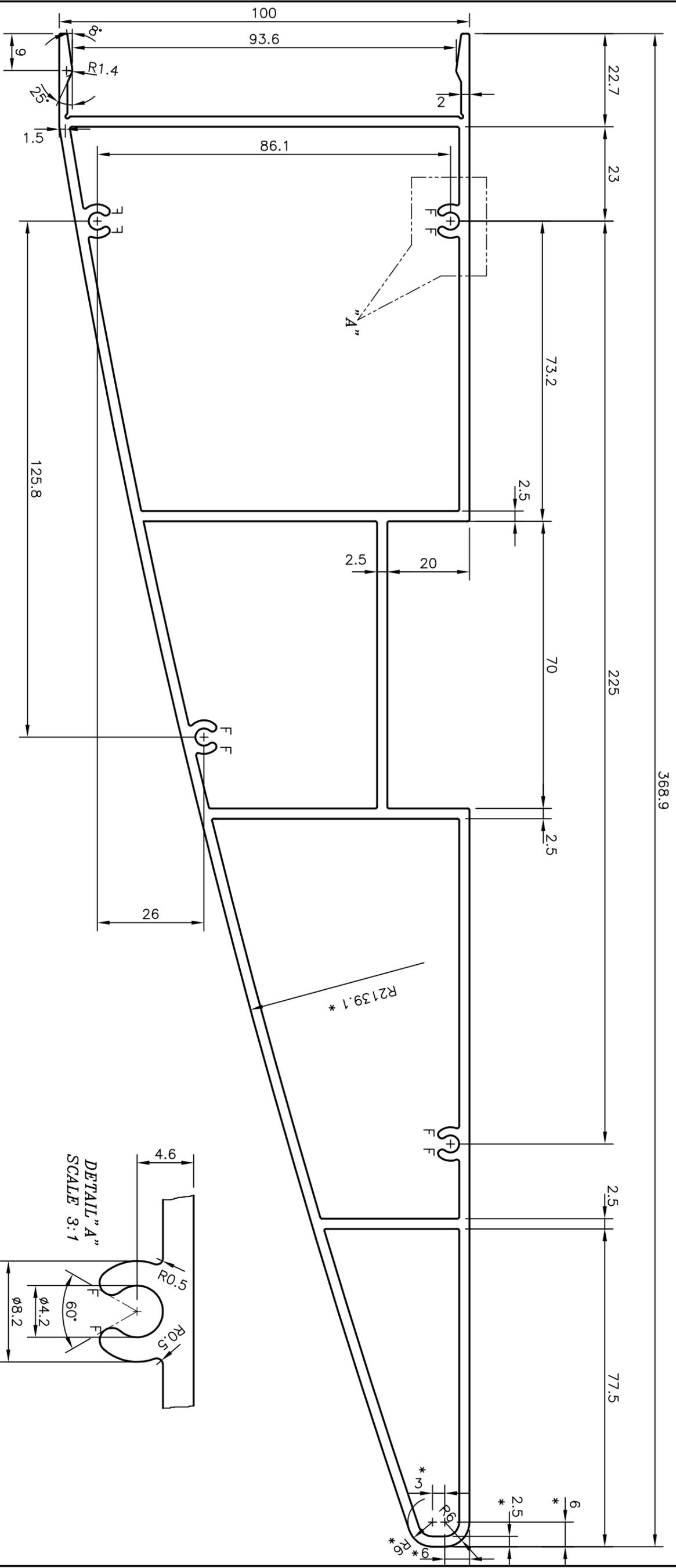


P-9251-1
S2181
29371



* MARKED IMPORTANT DIMENSIONS
 FLATNESS: - IMPORTANT F = FULL RADIUS (8 PLACES)

 SYMBOL OF QUALITY AN ISO 9001 COMPANY	JINDAL ALUMINIUM LTD. BANGALORE-560073 (INDIA)		DRAWN J.P. KAUSHIK 06-06-2009	NAME DATE
	1. ALL DIMENSIONS ARE IN mm. 2. ROUND OFF ALL SHARP CORNERS WITH 0.40 mm. 3. TOLERANCES WILL BE AS PER IS:6477-1983 UNLESS OTHERWISE SPECIFIED		CHECKED APPROVED	SCALE 1:1
PARTY'S NAME SP FABRICATORS LTD., MUMBAI	PARTY'S DRAWING No. AL-557	AREA mm ² 2642.875	PERIMETER mm. 940.515	WEIGHT kg/m 7.136
ALLOY & TEMPER HE9 WP	MISC. SECTION	DRAWING No. P-9251-1	SECTION No. -	DRAWING No. S2181
DESCRIPTION	MISC. SECTION	DRAWING No. 29371	SECTION No. 29371	DRAWING No. 29371