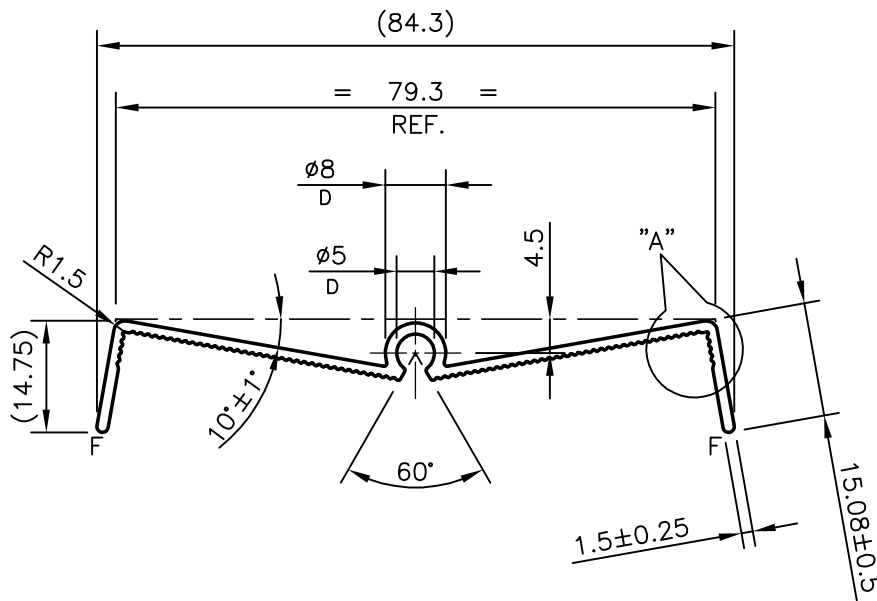
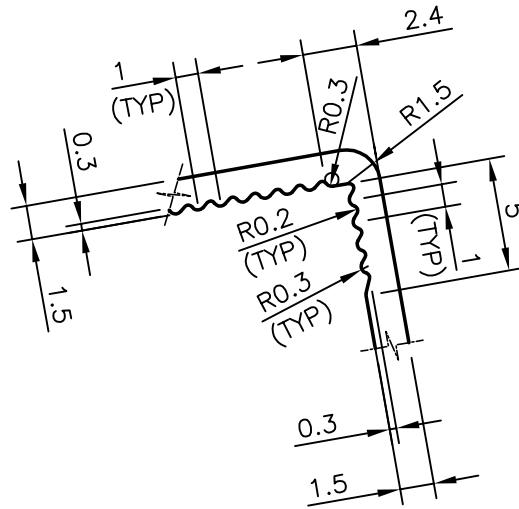


P-7389

S2038

29374

DETAIL OF "A"
SCALE 3:1



NOTE:-

1. F = FULL RADIUS (2 PLACES)
2. D = IMPORTANT DIMENSION (2 PLACES)



SYMBOL OF QUALITY
AN ISO 9001 COMPANY

JINDAL ALUMINIUM LTD.
BANGALORE-560073 (INDIA)

	NAME	DATE
DRAWN	PRASANN.H	05-07-2007
CHECKED		
APPROVED		

1. ALL DIMENSIONS ARE IN mm.
2. ROUND OFF ALL SHARP CORNERS WITH 0.40 mm.
3. TOLERANCES WILL BE AS PER IS:3965-1981 UNLESS OTHERWISE SPECIFIED

SCALE	1:1
AREA mm ²	166.065
PERIMETER mm.	253.939
WEIGHT kg/m	0.448

PARTY'S NAME	AAF INDIA PVT. LTD., BANGALORE
PARTY'S DRAWING No.	2007-03-033
ALLOY & TEMPER	6063 T5
DESCRIPTION	MISC. PROFILE

DRAWING No.	SECTION No.
P-7389	-
S2038	S2038
29374	29374