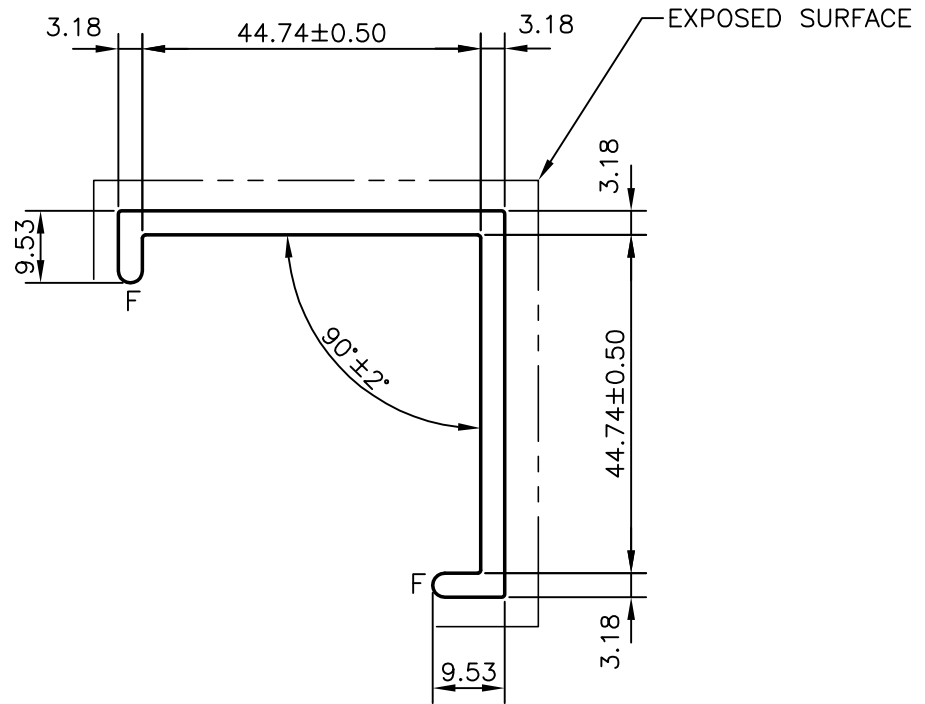


P-9670

29381



F = FULL RADIUS (2 PLACES)



SYMBOL OF QUALITY
AN ISO 9001 COMPANY

JINDAL ALUMINIUM LTD.
BANGALORE-560073 (INDIA)

	NAME	DATE
DRAWN	J.P.KAUSHIK	03-12-2009
CHECKED		
APPROVED		

1. ALL DIMENSIONS ARE IN mm.
2. ROUND OFF ALL SHARP CORNERS WITH 0.40 mm.
3. TOLERANCES WILL BE AS PER BS:EN-755 UNLESS OTHERWISE SPECIFIED

SCALE	1:1
AREA mm ²	353.099
PERIMETER mm.	226.04
WEIGHT kg/m	0.953

PARTY'S NAME PROSOURCE INDUSTRIAL SOLUTIONS ALBERTA, CANADA

DRAWING No.	SECTION No.
P-9670	-
29381	29381

PARTY'S DRAWING No. AS PER DRAWING (620126)

ALLOY & TEMPER 6063 T6

DESCRIPTION MISC. SECTION