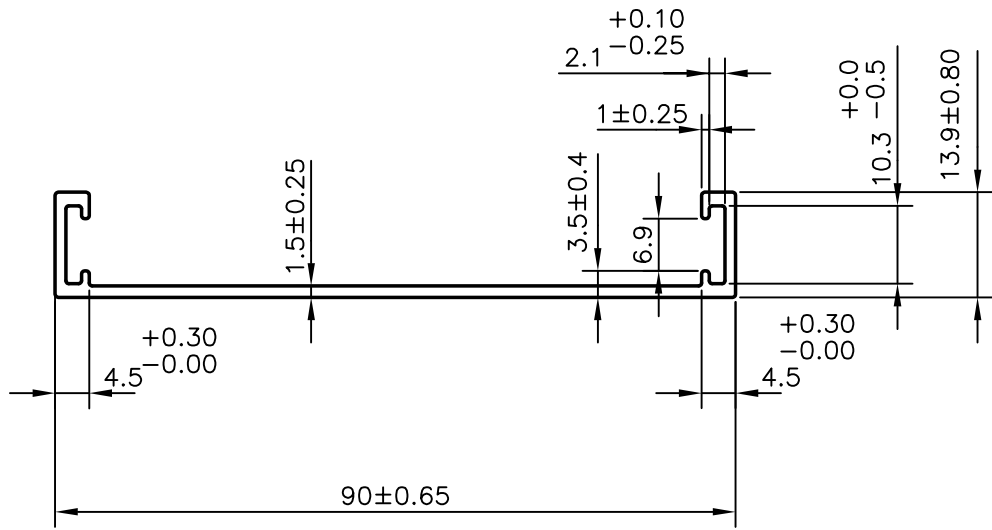



P-9694
29387
-



 SYMBOL OF QUALITY AN ISO 9001 COMPANY	JINDAL ALUMINIUM LTD. BANGALORE-560073 (INDIA)	NAME		DATE
		DRAWN	J.P.KAUSHIK	22-12-2009
		CHECKED		
1. ALL DIMENSIONS ARE IN mm. 2. ROUND OFF ALL SHARP CORNERS WITH 0.40 mm. 3. TOLERANCES WILL BE AS PER BS:EN-755, UNLESS OTHERWISE SPECIFIED		SCALE		1:1
PARTY'S NAME		AREA mm ²		189.403
		PERIMETER mm.		254.48
PARTY'S DRAWING No.		WEIGHT kg/m		0.511
		DRAWING No.	SECTION No.	
ALLOY & TEMPER		P-9694		-
		29387		29387
DESCRIPTION		-		-
		MISC. SECTION		