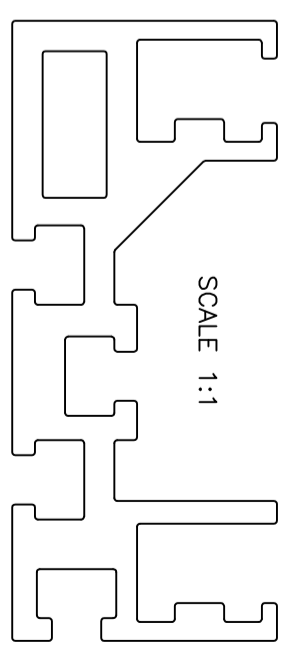
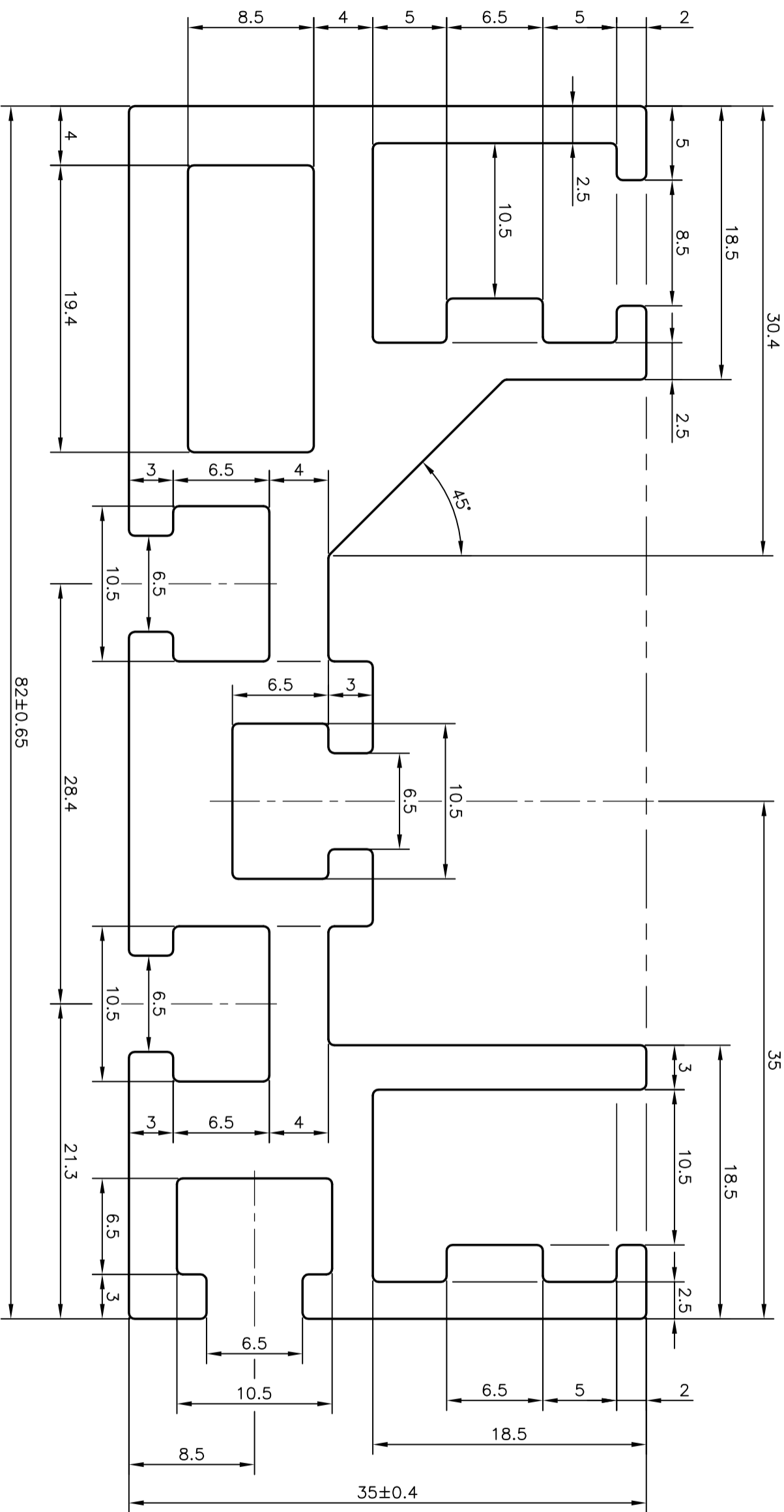



P-7516-1
X755
29399



SCALE 1:1

| | | | |
|--|-----------------|--|--|
|  SYMBOL OF QUALITY AN ISO 9001 COMPANY | | JINDAL ALUMINIUM LTD. BANGALORE-560073 (INDIA) | |
| 1. ALL DIMENSIONS ARE IN mm. 2. ROUND OFF ALL SHARP CORNERS WITH 0.40 mm. 3. TOLERANCES WILL BE AS PER IS:6477-1983 UNLESS OTHERWISE SPECIFIED | | | |
| PARTY'S NAME | | ALUMINIUM TRADING CO., NEW DELHI | |
| PARTY'S DRAWING No. | | AS PER DRAWING | |
| ALLOY & TEMPER | | HE9 WP | |
| DESCRIPTION | | MISC. SECTION | |
| DRAWN | NAME | DATE | |
| CHECKED | PRASANN. H | 19-11-2007 | |
| APPROVED | | | |
| SCALE | 3:1 | | |
| AREA | mm ² | 1071.578 | |
| PERIMETER | mm. | 472.835 | |
| WEIGHT | kg/m | 2.893 | |
| DRAWING No. | SECTION No. | | |
| P-7516-1 | - | | |
| X755 | X755 | | |
| 29399 | 29399 | | |