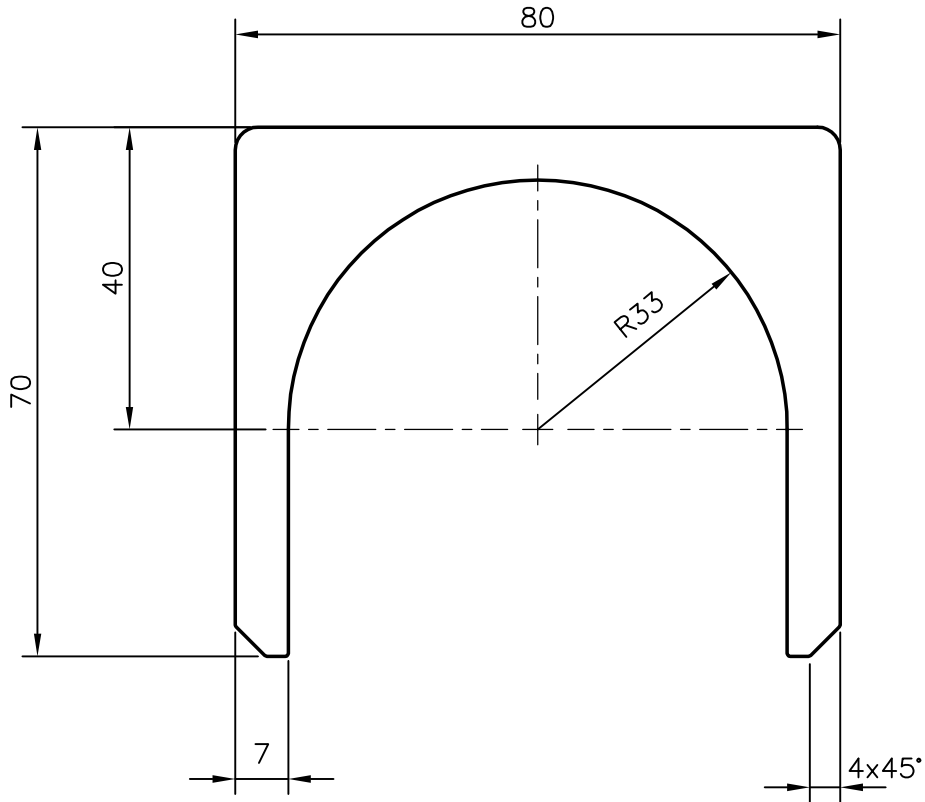


P-10469

29410



SYMBOL OF QUALITY  
AN ISO 9001 COMPANY

**JINDAL ALUMINIUM LTD.**  
BANGALORE-560073 (INDIA)

	NAME	DATE
DRAWN	J.P.KAUSHIK	07-10-2010
CHECKED		
APPROVED	S.S.GARG	25-10-2010
SCALE		1:1
AREA mm <sup>2</sup>		1889.458
PERIMETER mm.		389.999
WEIGHT kg/m		5.102
DRAWING No.	SECTION No.	
P-10469	-	
29410	29410	

1. ALL DIMENSIONS ARE IN mm.
2. ROUND OFF ALL SHARP CORNERS WITH 0.40 mm.
3. TOLERANCES WILL BE AS PER,BS:EN-755 UNLESS OTHERWISE SPECIFIED

PARTY'S NAME	DOLPHIN MANUFACTURING LTD., (L.L.C.) AJMAN-UAE
PARTY'S DRAWING No.	EXT-80X70
ALLOY & TEMPER	6060 T5
DESCRIPTION	CHANNEL-MISCELLANEOUS