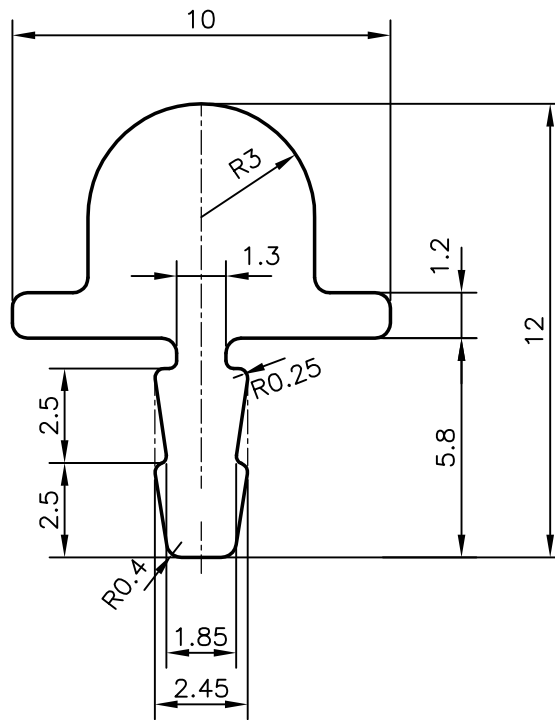
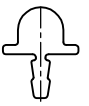


P-10551

29416



SYMBOL OF QUALITY
AN ISO 9001 COMPANY

JINDAL ALUMINIUM LTD.
BANGALORE-560073 (INDIA)

	NAME	DATE
DRAWN	J.P.KAUSHIK	15-11-2010
CHECKED		
APPROVED	J.N.RAI	16-12-2010

1. ALL DIMENSIONS ARE IN mm.
2. ROUND OFF ALL SHARP CORNERS WITH 0.40 mm.
3. TOLERANCES WILL BE AS PER,IS:3965-1981 UNLESS OTHERWISE SPECIFIED

SCALE	5:1
AREA mm ²	49.827
PERIMETER mm.	41.373
WEIGHT kg/m	0.135

PARTY'S NAME	GENERAL CATEGORY,MUMBAI MARKET	DRAWING No.	SECTION No.
PARTY'S DRAWING No.	AS PER SAMPLE	P-10551	-
ALLOY & TEMPER	HE9 WP	29416	29416
DESCRIPTION	MISC. SECTION		