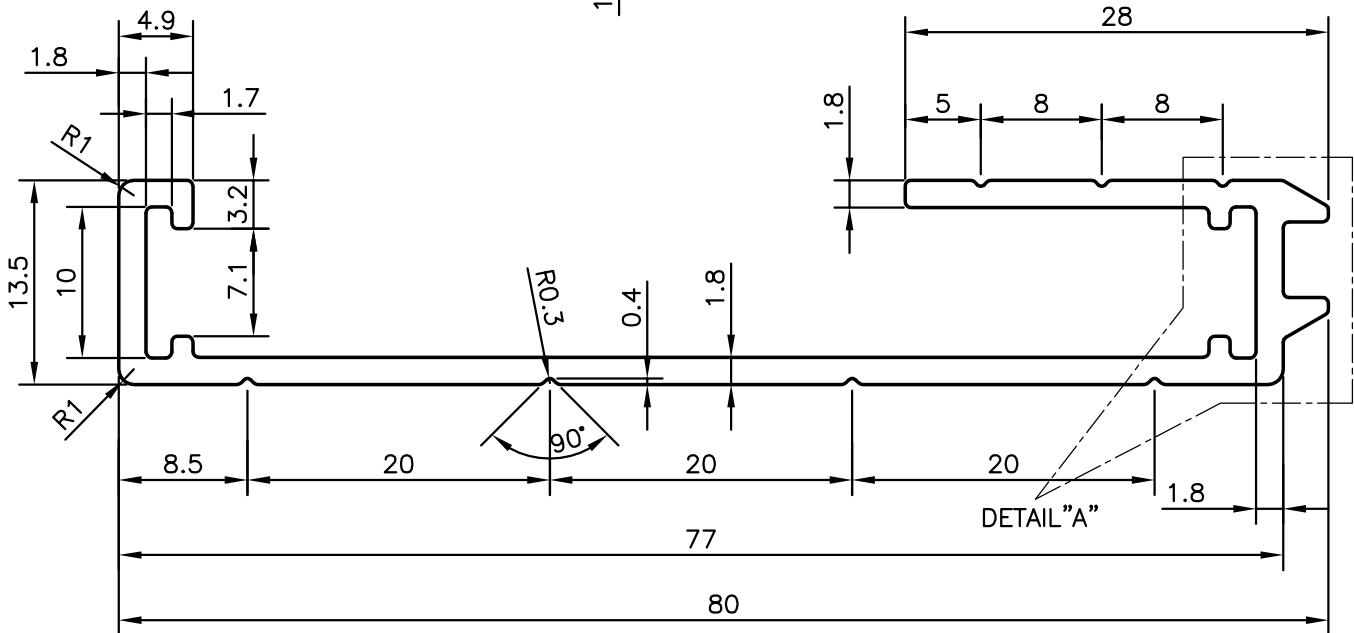
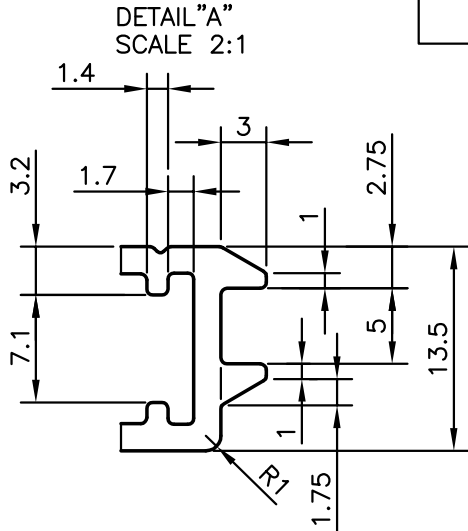
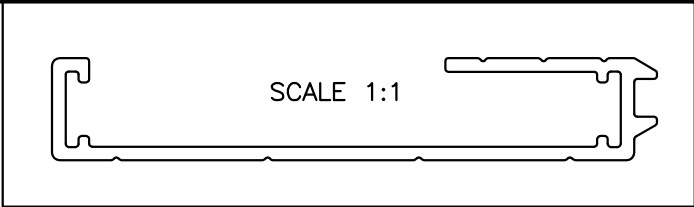


P-9942
S2523
29428



JINDAL ALUMINIUM LTD.
BANGALORE-560073 (INDIA)

	NAME	DATE
DRAWN	RAGHAVENDRA	31-03-2010
CHECKED		
APPROVED	S.S.GARG	28-04-2010

- ALL DIMENSIONS ARE IN mm.
- ROUND OFF ALL SHARP CORNERS WITH 0.40 mm.
- TOLERANCES WILL BE AS PER IS:3965-1981, UNLESS OTHERWISE SPECIFIED

SCALE	2:1
AREA mm ²	244.32
PERIMETER mm.	274.061
WEIGHT kg/m	0.66

PARTY'S NAME	SPECTRUM FILTRATION PVT. LTD., KOLKATA
PARTY'S DRAWING No.	AS PER SAMPLE
ALLOY & TEMPER	6063 T6
DESCRIPTION/END USE	INDUSTRIAL MISC. SECTION

DRAWING No.	SECTION No.
P-9942	-
S2523	S2523
29428	29428