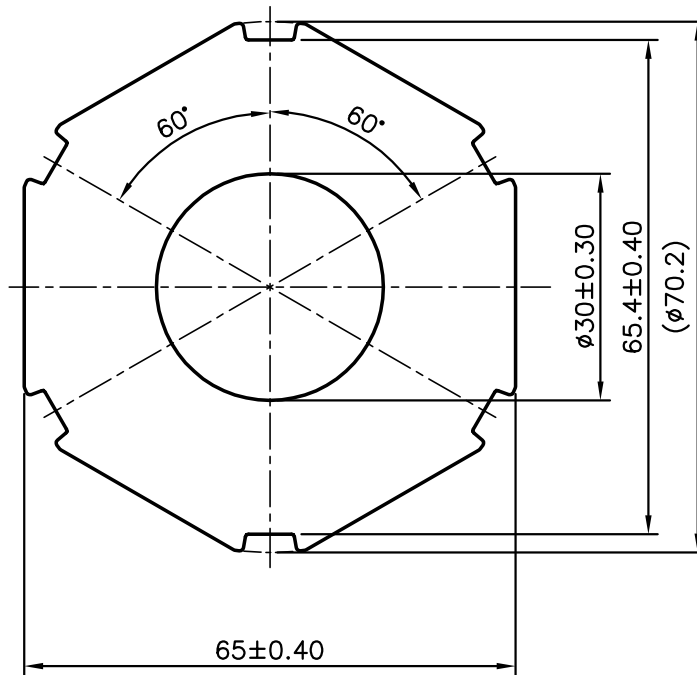
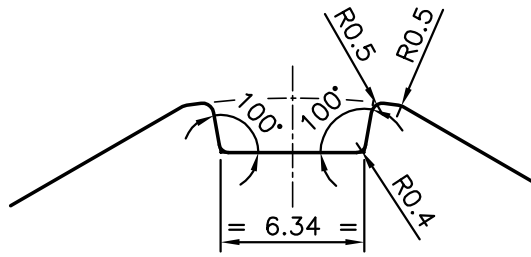


P-9269-2

S2167

29438



SYMBOL OF QUALITY  
AN ISO 9001 COMPANY

**JINDAL ALUMINIUM LTD.**  
BANGALORE-560073 (INDIA)

|          | NAME        | DATE       |
|----------|-------------|------------|
| DRAWN    | J.P.KAUSHIK | 19-06-2009 |
| CHECKED  |             |            |
| APPROVED |             |            |

1. ALL DIMENSIONS ARE IN mm.
2. ROUND OFF ALL SHARP CORNERS WITH 0.40 mm.
3. TOLERANCES WILL BE AS PER IS:6477-1983 UNLESS OTHERWISE SPECIFIED

|                      |          |
|----------------------|----------|
| SCALE                | 1:1      |
| AREA mm <sup>2</sup> | 2790.682 |
| PERIMETER mm.        | 235.174  |
| WEIGHT kg/m          | 7.535    |

|                     |                                            |
|---------------------|--------------------------------------------|
| PARTY'S NAME        | BRITISH ENGINES INDIA PVT. LTD., BANGALORE |
| PARTY'S DRAWING No. | 40TMC2/TMC2X EXTRUSION                     |
| ALLOY & TEMPER      | 6082 T6                                    |
| DESCRIPTION         | HEXAGONAL TUBE                             |

| DRAWING No. | SECTION No. |
|-------------|-------------|
| P-9269-2    | -           |
| S2167       | S2167       |
| 29438       | 29438       |