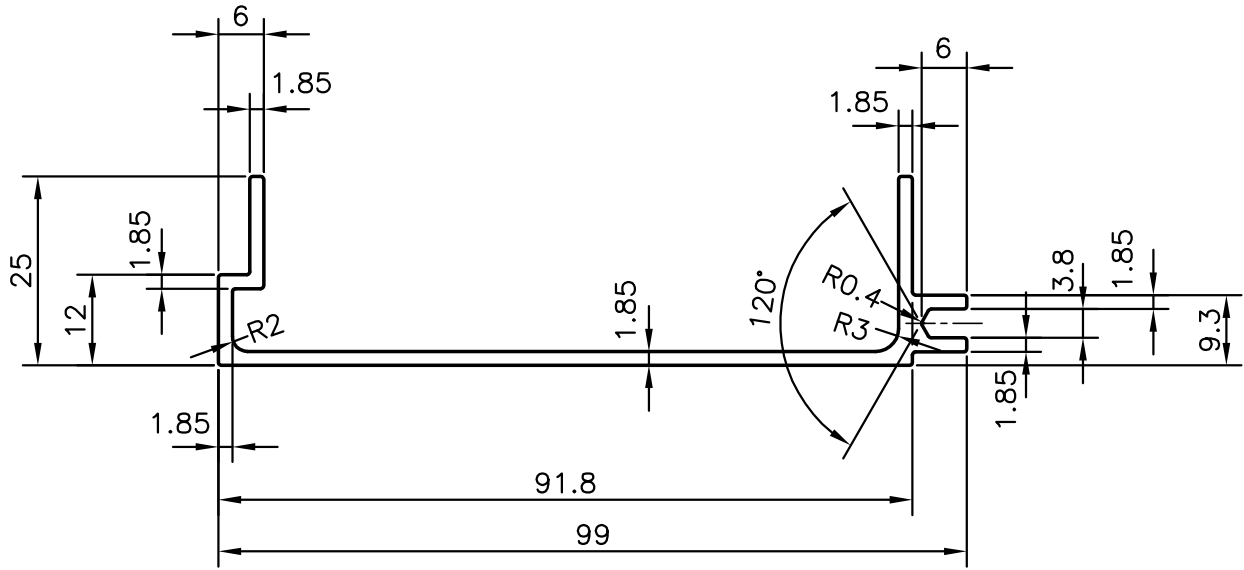


P-9299

S2160

29442



SYMBOL OF QUALITY
AN ISO 9001 COMPANY

JINDAL ALUMINIUM LTD.
BANGALORE-560073 (INDIA)

	NAME	DATE
DRAWN	J.P.KAUSHIK	17-06-2009
CHECKED		
APPROVED		

1. ALL DIMENSIONS ARE IN mm.
2. ROUND OFF ALL SHARP CORNERS WITH 0.40 mm.
3. TOLERANCES WILL BE AS PER IS:3965-1981 UNLESS OTHERWISE SPECIFIED

SCALE	1:1
AREA mm ²	298.753
PERIMETER mm.	308.1
WEIGHT kg/m	0.807

PARTY'S NAME SILVER SPARK PVT. LTD., NEW DELHI

DRAWING No.	SECTION No.
P-9299	-
S2160	S2160
29442	29442

PARTY'S DRAWING No. AS PER SAMPLE

ALLOY & TEMPER HE9 WP

DESCRIPTION MISC. SECTION