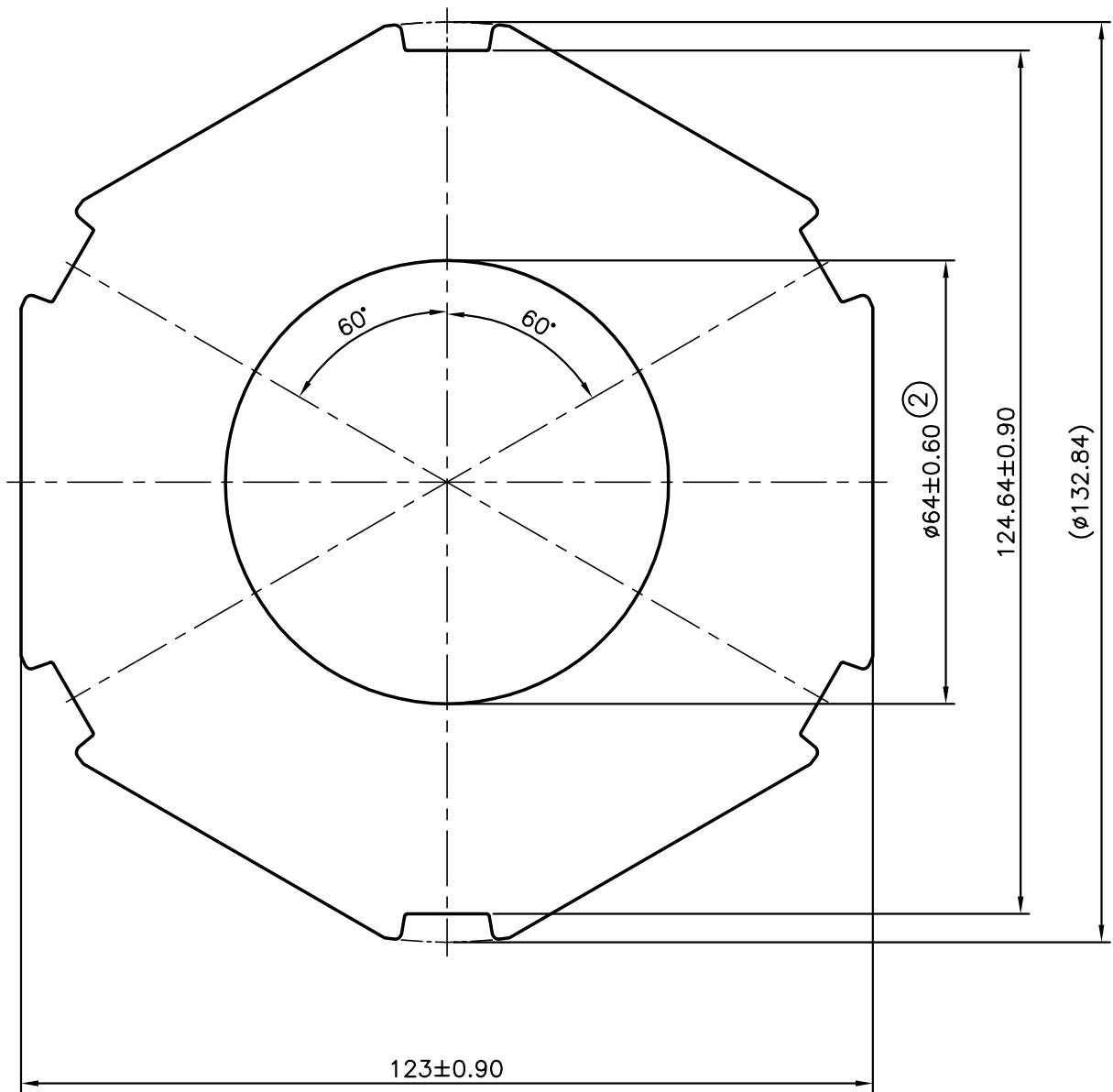
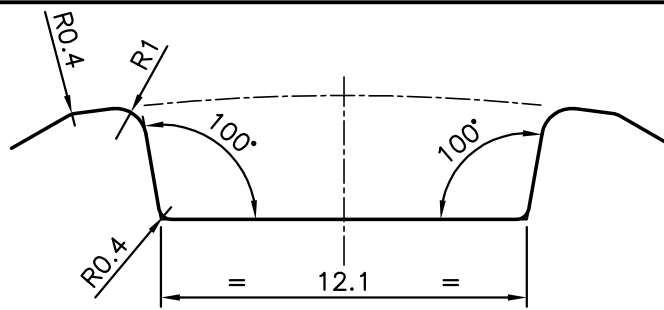


P-9274-1
S2172
29444



ISSUE-2

I.D CHANGED FROM $\phi 77.00$ TO $\phi 64.00$ & WEIGHT ALSO CHANGED FROM 21.329 TO 25.216



SYMBOL OF QUALITY
AN ISO 9001 COMPANY

JINDAL ALUMINIUM LTD.
BANGALORE-560073 (INDIA)

	NAME	DATE
DRAWN	J.P.KAUSHIK	10-07-2009
CHECKED		
APPROVED		
SCALE		1:1
AREA mm ²		9339.377
PERIMETER mm.		441.606
WEIGHT kg/m		25.216
DRAWING No.	SECTION No.	
P-9274-1	-	
S2172	S2172(ISSUE-2)	
29444	29444	

1. ALL DIMENSIONS ARE IN mm.
2. ROUND OFF ALL SHARP CORNERS WITH 0.40 mm.
3. TOLERANCES WILL BE AS PER IS:6477-1983 UNLESS OTHERWISE SPECIFIED

PARTY'S NAME	BRITISH ENGINES INDIA PVT. LTD., BANGALORE
PARTY'S DRAWING No.	100TMC2/TMC2X EXTRUSION
ALLOY & TEMPER	6082 T6
DESCRIPTION	HEXAGONAL TUBE