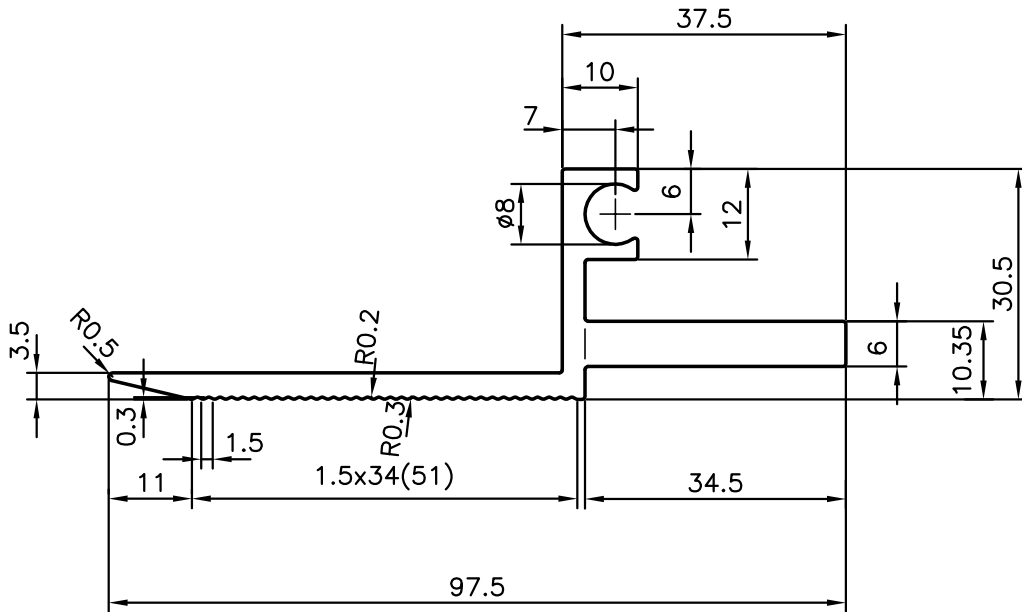
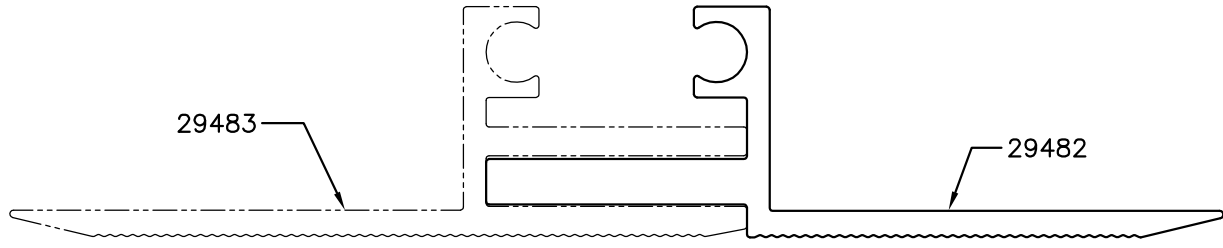


P-10025

X1291

29482



SYMBOL OF QUALITY  
AN ISO 9001 COMPANY

**JINDAL ALUMINIUM LTD.**  
BANGALORE-560073 (INDIA)

	NAME	DATE
DRAWN	J.P.KAUSHIK	15-05-2010
CHECKED		
APPROVED	S.S.GARG	01-06-2010

1. ALL DIMENSIONS ARE IN mm.
2. ROUND OFF ALL SHARP CORNERS WITH 0.40 mm.
3. TOLERANCES WILL BE AS PER IS:3965-1981, UNLESS OTHERWISE SPECIFIED

SCALE	1:1
AREA mm <sup>2</sup>	523.668
PERIMETER mm.	282.244
WEIGHT kg/m	1.414

PARTY'S NAME	V.G. SALES, NEW DELHI
PARTY'S DRAWING No.	AS PER SAMPLE ( 4G )
ALLOY & TEMPER	6060 T6
DESCRIPTION	MISC. SECTION

DRAWING No.	SECTION No.
P-10025	-
X1291	X1291
29482	29482