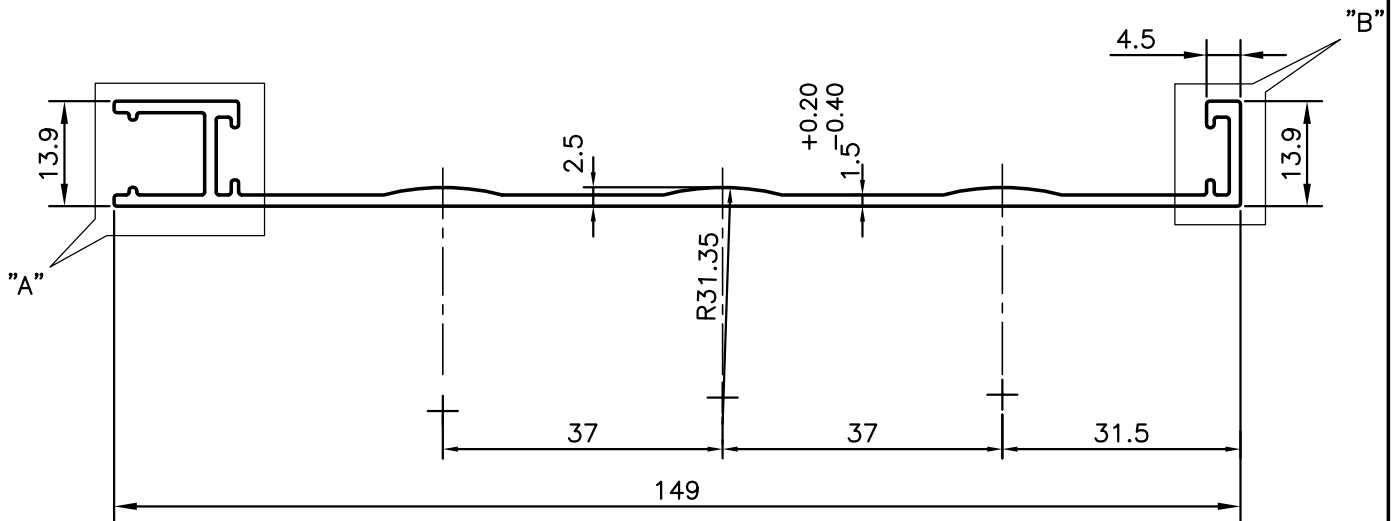
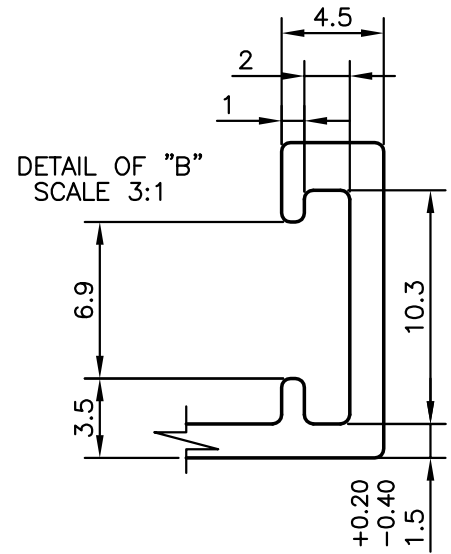
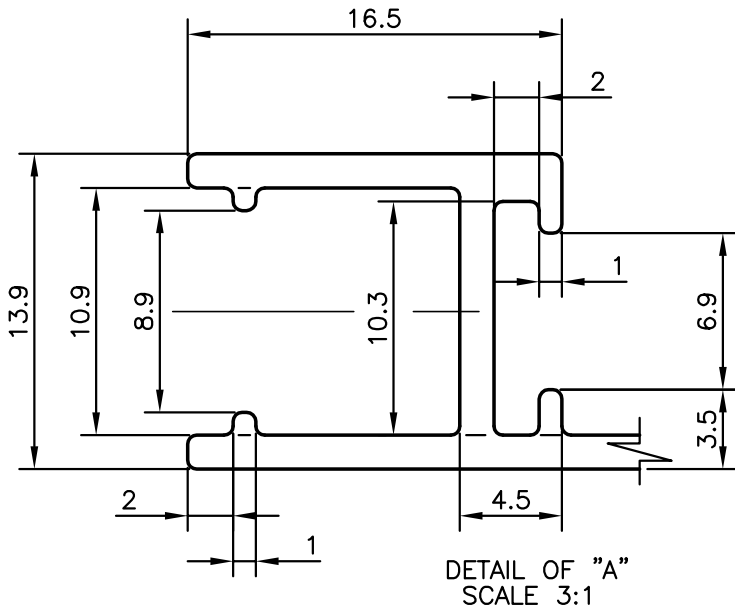



P-10443-1

S2748

29505



 SYMBOL OF QUALITY AN ISO 9001 COMPANY	JINDAL ALUMINIUM LTD. BANGALORE-560073 (INDIA)	NAME	DATE
		DRAWN	PRASANN.H 07-10-2010
1. ALL DIMENSIONS ARE IN mm. 2. ROUND OFF ALL SHARP CORNERS WITH 0.40 mm. 3. TOLERANCES WILL BE AS PER IS:3965-1981 UNLESS OTHERWISE SPECIFIED		CHECKED	
		APPROVED	S.S.GARG 04-11-2010
PARTY'S NAME AAF INDIA PVT. LTD., BANGALORE		SCALE	1:1
		AREA mm ²	331.485
PARTY'S DRAWING No. AAF-R&D-EXT 036		PERIMETER mm.	398.524
		WEIGHT kg/m	0.895
ALLOY & TEMPER 6063 T6		DRAWING No.	SECTION No.
		P-10443-1	-
DESCRIPTION MISC. SECTION		S2748	S2748
		29505	29505