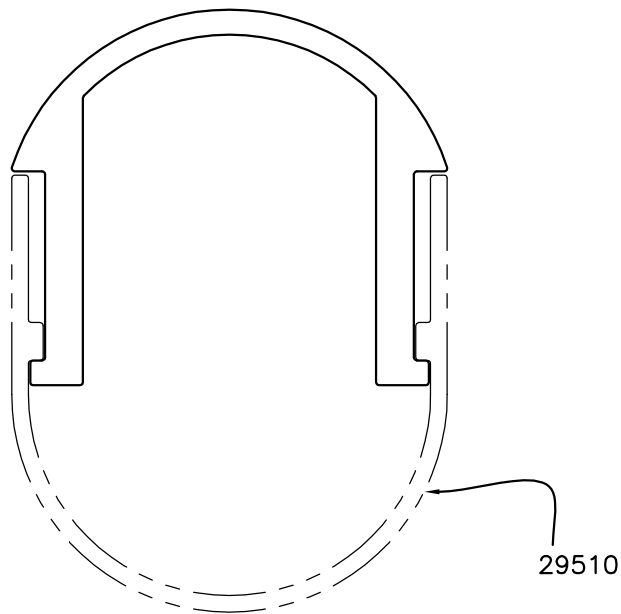
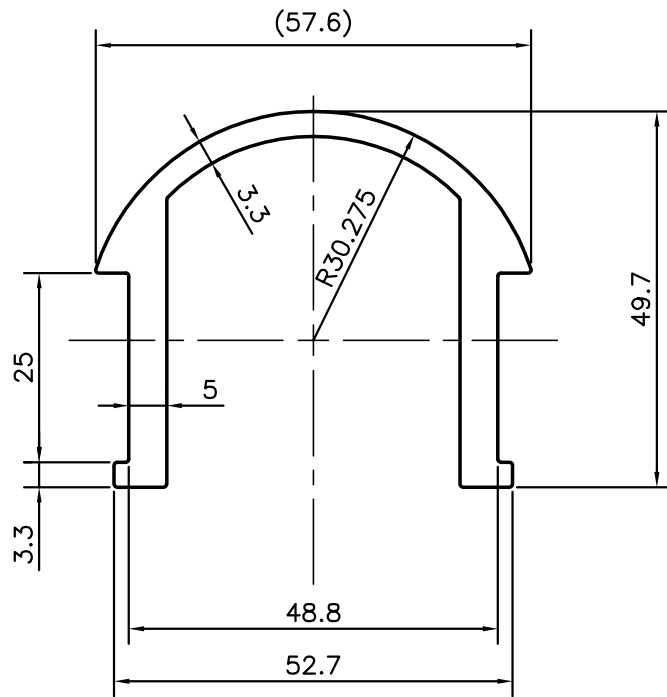


P-12567

29511



SYMBOL OF QUALITY
AN ISO 9001 COMPANY

JINDAL ALUMINIUM LTD.
BANGALORE-560073 (INDIA)

	NAME	DATE
DRAWN	SRIVATHSA	27-02-2013
CHECKED		
APPROVED	S.S.GARG	04-03-2013

1. ALL DIMENSIONS ARE IN mm.
2. ROUND OFF ALL SHARP CORNERS WITH 0.40 mm.
3. TOLERANCES WILL BE AS PER IS:3965-1981, UNLESS OTHERWISE SPECIFIED

SCALE	1:1
AREA mm ²	602.55
PERIMETER mm.	277.792
WEIGHT kg/m	1.627

PARTY'S NAME	GENERAL CATEGORY, MUMBAI MARKET	DRAWING No.	SECTION No.
PARTY'S DRAWING No.	AS PER SAMPLE	P-12567	-
ALLOY & TEMPER	HE9 WP	29511	29511
DESCRIPTION	MISC. PROFILE		