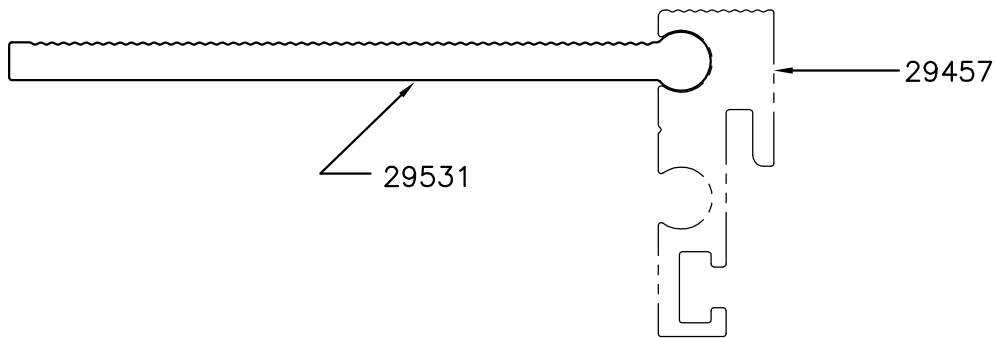
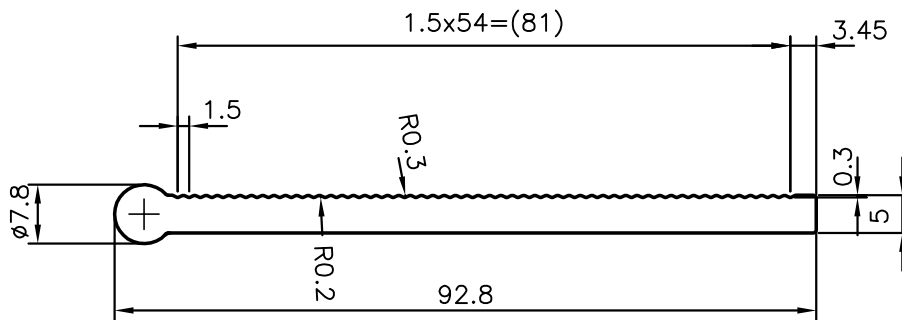
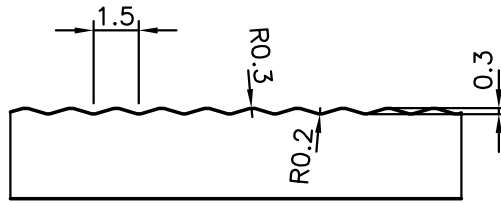


P-10915-1

X1503

29531



SYMBOL OF QUALITY
AN ISO 9001 COMPANY

JINDAL ALUMINIUM LTD.
BANGALORE-560073 (INDIA)

	NAME	DATE
DRAWN	J.P.KAUSHIK	12-05-2011
CHECKED		
APPROVED	S.S.GARG	21-05-2011
SCALE		1:1
AREA mm ²		462.13
PERIMETER mm.		202.474
WEIGHT kg/m		1.248
DRAWING No.	SECTION No.	
P-10915-1	-	
X1503	X1503	
29531	29531	

1. ALL DIMENSIONS ARE IN mm.
2. ROUND OFF ALL SHARP CORNERS WITH 0.40 mm.
3. TOLERANCES WILL BE AS PER IS:3965-1981 UNLESS OTHERWISE SPECIFIED

PARTY'S NAME	V.G.SALES, NEW DELHI
PARTY'S DRAWING No.	AS PER DRAWING
ALLOY & TEMPER	HE9 WP
DESCRIPTION	MISC. SECTION