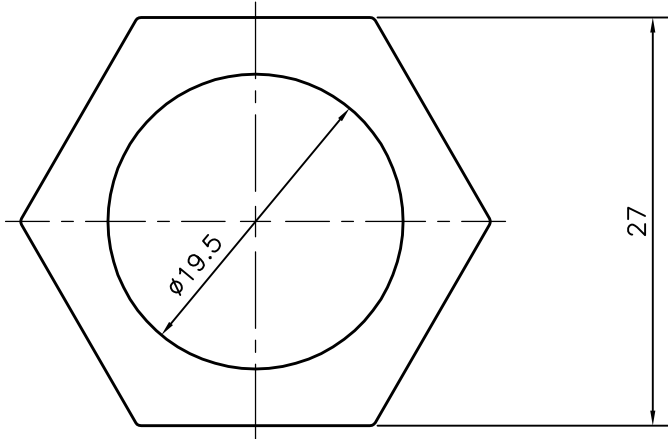
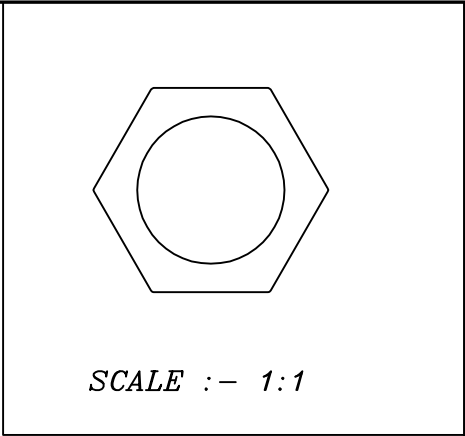



P-11432
S3146
29540



 SYMBOL OF QUALITY AN ISO 9001 COMPANY	JINDAL ALUMINIUM LTD. <i>BANGALORE-560073 (INDIA)</i>		NAME	DATE
		DRAWN	PARVESH	05-01-2012
1. ALL DIMENSIONS ARE IN mm. 2. ROUND OFF ALL SHARP CORNERS WITH 0.40 mm. 3. TOLERANCES WILL BE AS PER IS:6477-1983 ,UNLESS OTHERWISE SPECIFIED		CHECKED		
		APPROVED	S.S.GARG	11-01-2012
PARTY'S NAME CHAMUNDI ENGINEERING WORKS, BANGALORE		SCALE		2:1
		AREA mm ²		332.633
PARTY'S DRAWING No. AS PER SAMPLE		PERIMETER mm.		93.273
		WEIGHT kg/m		0.898
ALLOY & TEMPER 64430 WP		DRAWING No.	SECTION No.	
		P-11432	-	
DESCRIPTION HAXAGONAL TUBE		S3146	S3146	
		29540	29540	