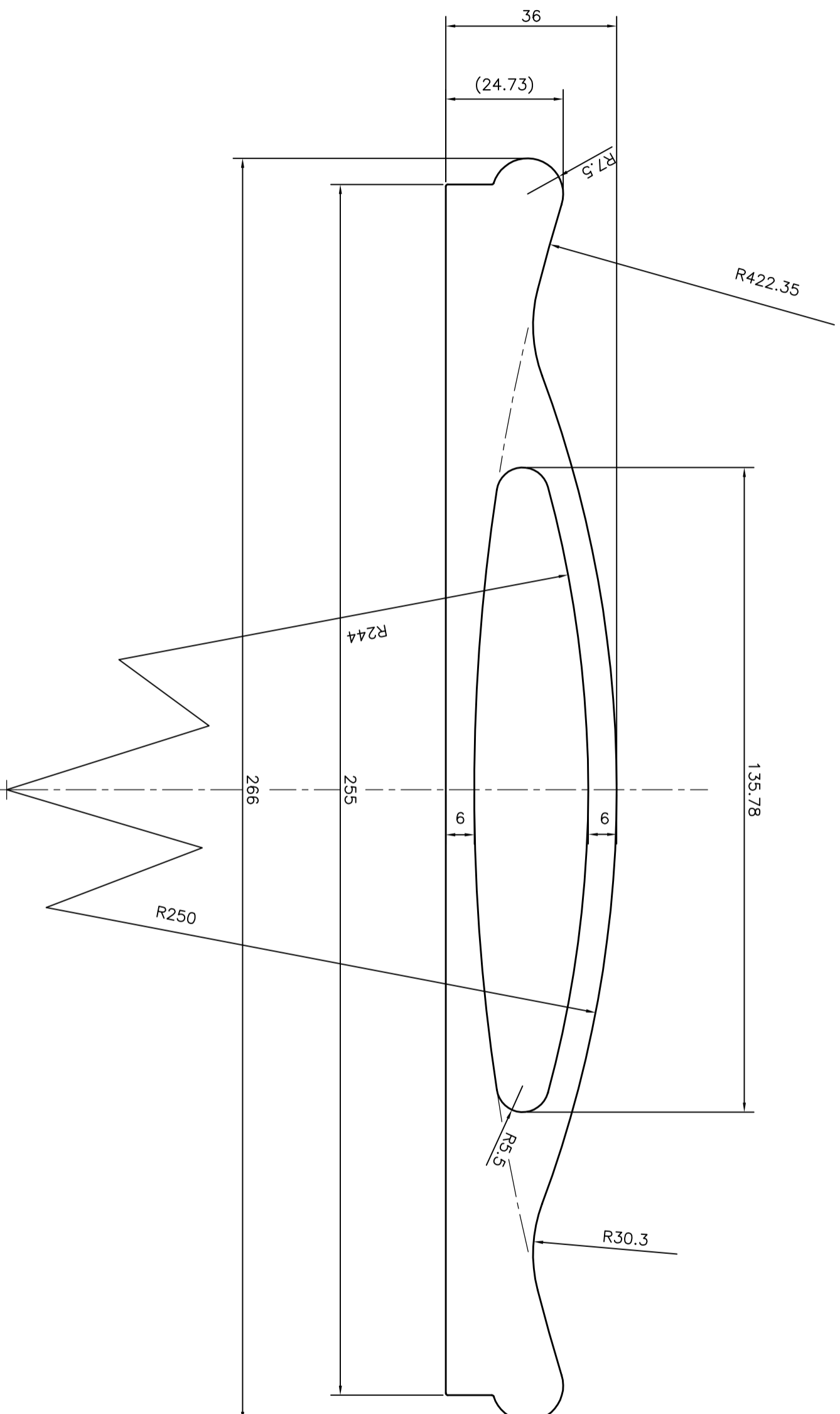



P-13630

29544



 SYMBOL OF QUALITY AN ISO 9001 COMPANY		JINDAL ALUMINIUM LTD. BANGALORE-560073 (INDIA)		NAME	DATE	
1. ALL DIMENSIONS ARE IN mm. 2. ROUND OFF ALL SHARP CORNERS WITH 0.40 mm. 3. TOLERANCES WILL BE AS PER IS:6477-1983 UNLESS OTHERWISE SPECIFIED				DRAWN	J.P.KAUSHIK	06-06-2014
PARTY'S NAME		GENERAL CATEGORY, MUMBAI MARKET		CHECKED		
PARTY'S DRAWING No.		AS PER DRAWING		APPROVED	S.S.GARG	10-06-2014
ALLOY & TEMPER		HE30 WP		SCALE		1:1
DESCRIPTION		MISC. SECTION		AREA mm ²		4607.585
				PERIMETER mm.		574.389
				WEIGHT kg/m		12.440
				DRAWING No.		SECTION No.
				P-13630		-
				29544		29544