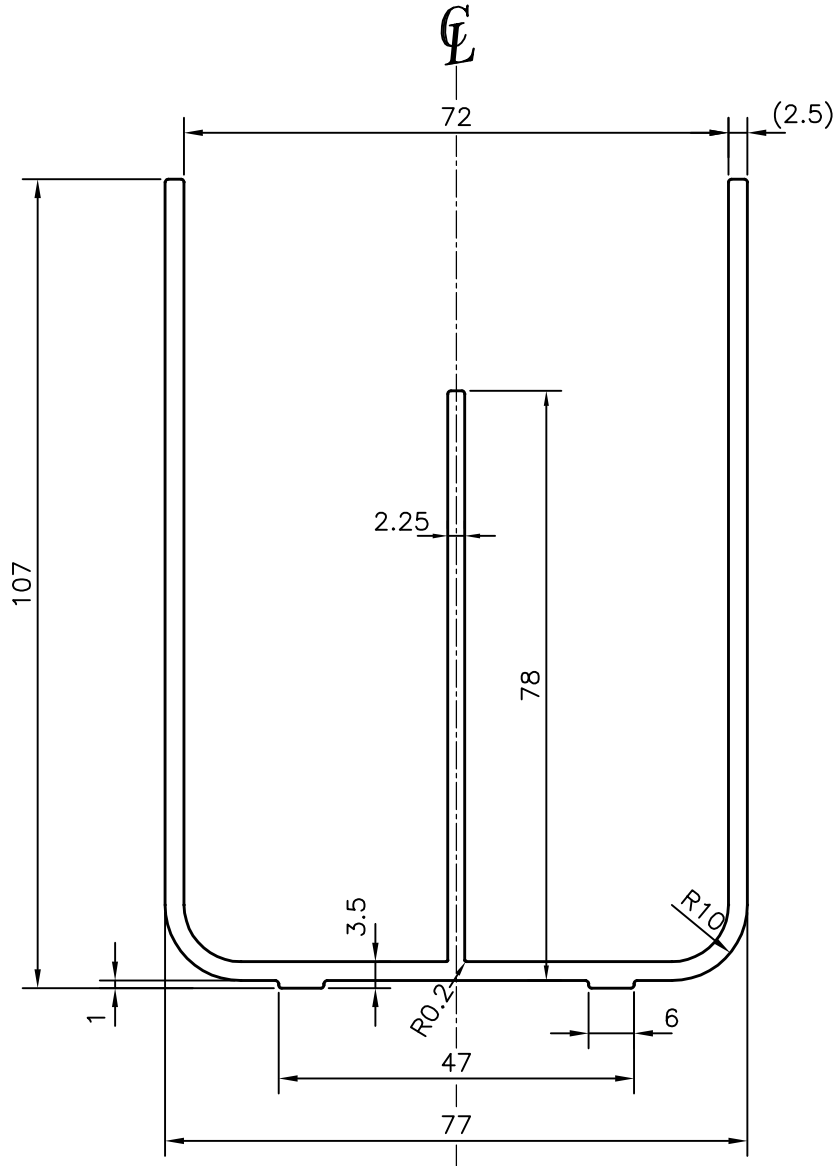


P-13710

29548



ISSUE-2  
CENTER RIB ADDED



SYMBOL OF QUALITY  
AN ISO 9001 COMPANY

**JINDAL ALUMINIUM LTD.**  
BANGALORE-560073 (INDIA)

	NAME	DATE
DRAWN	PARVESH	25-08-2014
CHECKED		
APPROVED	S.S.GARG	25-08-2014
SCALE		1:1
AREA mm <sup>2</sup>		872.908
PERIMETER mm.		710.403
WEIGHT kg/m		2.357
DRAWING No.	SECTION No.	
P-13710	-	
29548	29548(ISSUE-2)	

1. ALL DIMENSIONS ARE IN mm.
2. ROUND OFF ALL SHARP CORNERS WITH 0.40 mm.
3. TOLERANCES WILL BE AS PER IS:3965-1981 , UNLESS OTHERWISE SPECIFIED

PARTY'S NAME	JINDAL ALUMINIUM LTD., BANGALORE
PARTY'S DRAWING No.	AS PER DRAWING
ALLOY & TEMPER	HE9 WP
DESCRIPTION	GIFT SECTION