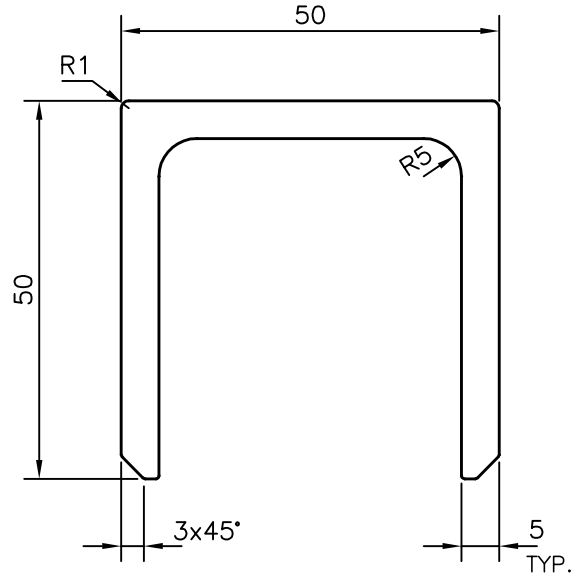


P-13727

29552



TOLERANCE CHART CD = CIRCUMSCRIBING CIRCLE

DIMENSION	CD≤100	100<CD≤200	200<CD≤300	300<CD≤500
UPTO 10mm	±0.25	±0.30	±0.35	±0.40
10.0 -25.0	±0.30	±0.40	±0.50	±0.60
25.0 -50.0	±0.50	±0.60	±0.80	±0.90
50.0 -100	±0.70	±0.90	±1.10	±1.30
100 - 150	-	±1.10	±1.30	±1.50
150 - 200	-	±1.3	±1.50	±1.80
200 - 300	-	-	±1.70	±2.10
300 - 450	-	-	-	±2.80



SYMBOL OF QUALITY
AN ISO 9001 COMPANY

JINDAL ALUMINIUM LTD.
BANGALORE-560073 (INDIA)

	NAME	DATE
DRAWN	PARVESH	11-07-2014

CHECKED		
APPROVED	S.S.GARG	23-08-2014

1. ALL DIMENSIONS ARE IN mm.
2. ROUND OFF ALL SHARP CORNERS WITH 0.40 mm.
3. TOLERANCES WILL BE AS PER BS:EN-755-9 , UNLESS OTHERWISE SPECIFIED

SCALE	1:1
-------	-----

AREA mm ²	701.218
----------------------	---------

PERIMETER mm.	280.923
---------------	---------

WEIGHT kg/m	1.893
-------------	-------

DRAWING No.	SECTION No.
P-13727	-
29552	29552

--	--

PARTY'S NAME	DOLPHIN MANUFACTURING L.L.C., DUBAI
--------------	-------------------------------------

PARTY'S DRAWING No.	AS PER DRAWING
---------------------	----------------

ALLOY & TEMPER	6060 T5
----------------	---------

DESCRIPTION	MISC. CHANNEL SECTION
-------------	-----------------------