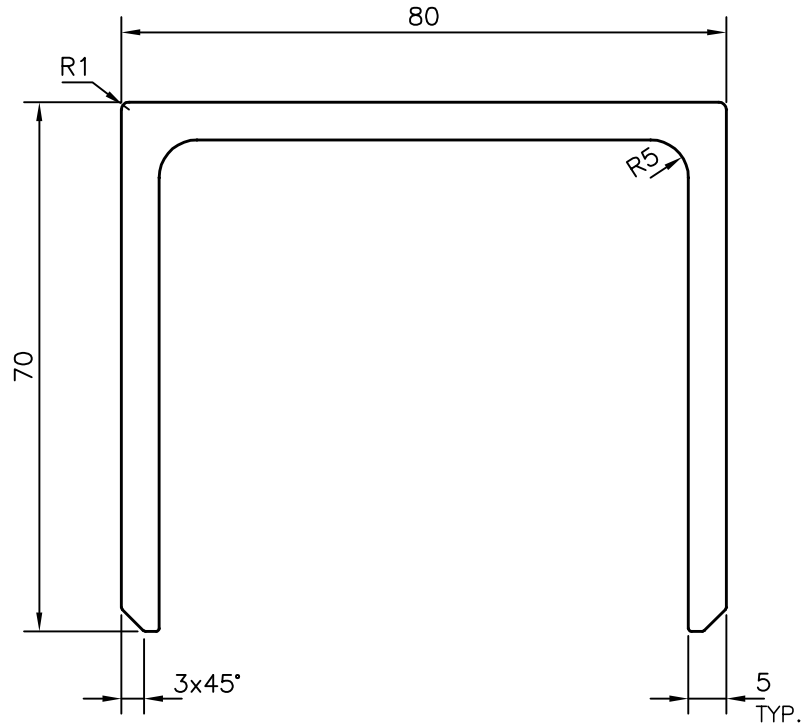


P-13729

29554



TOLERANCE CHART CD = CIRCUMSCRIBING CIRCLE

| DIMENSION | CD ≤ 100 | 100 < CD ≤ 200 | 200 < CD ≤ 300 | 300 < CD ≤ 500 |
|-------------|----------|----------------|----------------|----------------|
| UPTO 10mm | ±0.25 | ±0.30 | ±0.35 | ±0.40 |
| 10.0 - 25.0 | ±0.30 | ±0.40 | ±0.50 | ±0.60 |
| 25.0 - 50.0 | ±0.50 | ±0.60 | ±0.80 | ±0.90 |
| 50.0 - 100 | ±0.70 | ±0.90 | ±1.10 | ±1.30 |
| 100 - 150 | - | ±1.10 | ±1.30 | ±1.50 |
| 150 - 200 | - | ±1.3 | ±1.50 | ±1.80 |
| 200 - 300 | - | - | ±1.70 | ±2.10 |
| 300 - 450 | - | - | - | ±2.80 |



SYMBOL OF QUALITY
AN ISO 9001 COMPANY

JINDAL ALUMINIUM LTD.
BANGALORE-560073 (INDIA)

| | NAME | DATE |
|----------|----------|------------|
| DRAWN | PARVESH | 11-07-2014 |
| CHECKED | | |
| APPROVED | S.S.GARG | 23-08-2014 |

- ALL DIMENSIONS ARE IN mm.
- ROUND OFF ALL SHARP CORNERS WITH 0.40 mm.
- TOLERANCES WILL BE AS PER BS:EN-755-9, UNLESS OTHERWISE SPECIFIED

| | |
|----------------------|----------|
| SCALE | 1:1 |
| AREA mm ² | 1051.218 |
| PERIMETER mm. | 420.923 |
| WEIGHT kg/m | 2.838 |

PARTY'S NAME DOLPHIN MANUFACTURING L.L.C., DUBAI

PARTY'S DRAWING No. AS PER DRAWING

ALLOY & TEMPER 6060 T5

DESCRIPTION MISC. CHANNEL SECTION

| DRAWING No. | SECTION No. |
|-------------|-------------|
| P-13729 | - |
| 29554 | 29554 |