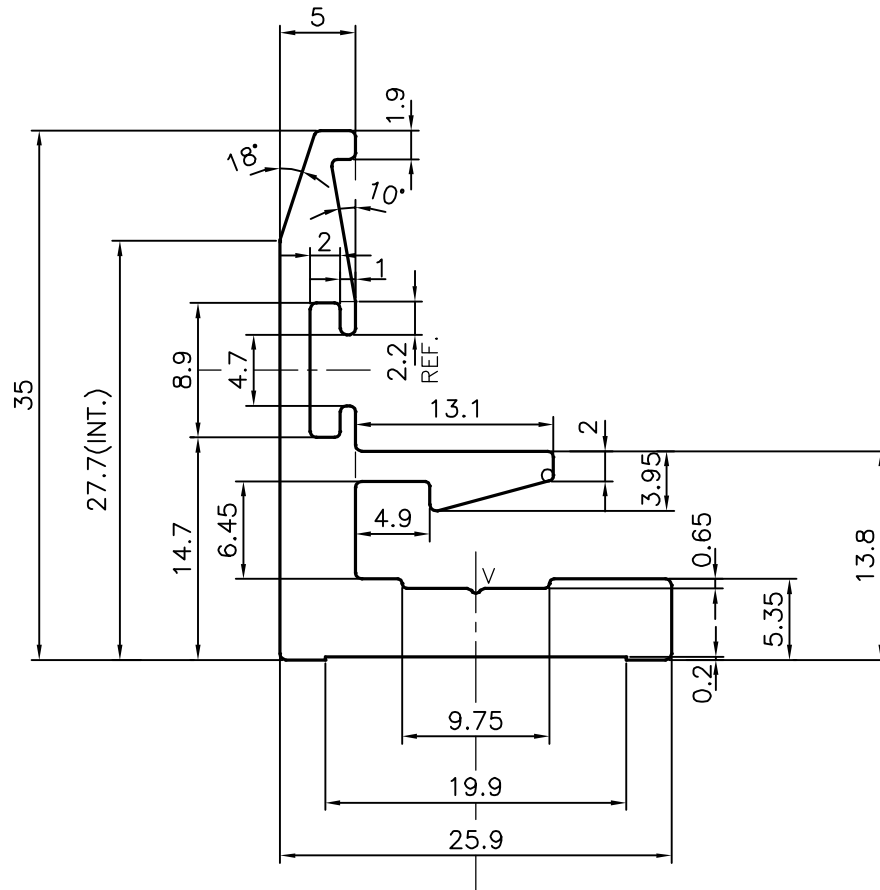
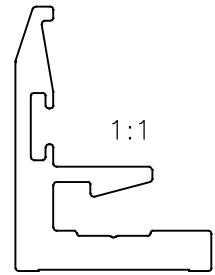


P-12010

29559



V = V GROOVE 0.3x90° (1 PLACES)



SYMBOL OF QUALITY
AN ISO 9001 COMPANY

JINDAL ALUMINIUM LTD.
BANGALORE-560073 (INDIA)

	NAME	DATE
DRAWN	J.P.KAUSHIK	27-08-2012
CHECKED		
APPROVED	S.S.GARG	28-08-2014

1. ALL DIMENSIONS ARE IN mm.
2. ROUND OFF ALL SHARP CORNERS WITH 0.40 mm.
3. TOLERANCES WILL BE AS PER,BS:EN-755-9 UNLESS OTHERWISE SPECIFIED

SCALE	2:1
AREA mm ²	271.561
PERIMETER mm.	162.056
WEIGHT kg/m	0.733

PARTY'S NAME GENERAL CATEGORY, (JAIPUR MARKET)

PARTY'S DRAWING No. AS PER SAMPLE

ALLOY & TEMPER HE9 WP

DESCRIPTION MISC. SECTION

DRAWING No. SECTION No.

P-12010

29559

-

29559