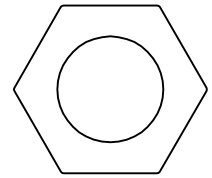


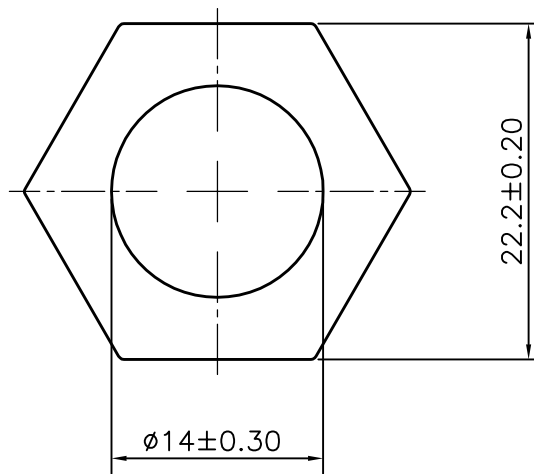
P-12041-1

S3470

29572



SCALE: - 1:1



SYMBOL OF QUALITY  
AN ISO 9001 COMPANY

**JINDAL ALUMINIUM LTD.**  
BANGALORE-560073 (INDIA)

	NAME	DATE
DRAWN	PARVESH	18-09-2012
CHECKED		
APPROVED	S.S.GARG	21-09-2012
SCALE		2:1
AREA mm <sup>2</sup>		272.822
PERIMETER mm.		76.645
WEIGHT kg/m		0.737
DRAWING No.		SECTION No.
P-12041-1		-
S3470		S3470
29572		29572

1. ALL DIMENSIONS ARE IN mm.
2. ROUND OFF ALL SHARP CORNERS WITH 0.40 mm.
3. TOLERANCES WILL BE AS PER BS:EN-755-9, UNLESS OTHERWISE SPECIFIED

PARTY'S NAME	VMX CONNECTORS PVT. LTD., BANGALORE
PARTY'S DRAWING No.	AS PER SPECIFICATION
ALLOY & TEMPER	6061 T6
DESCRIPTION	HEXAGONAL TUBE