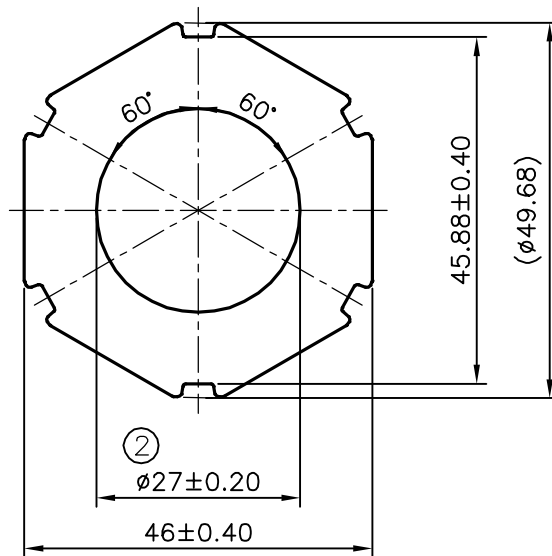
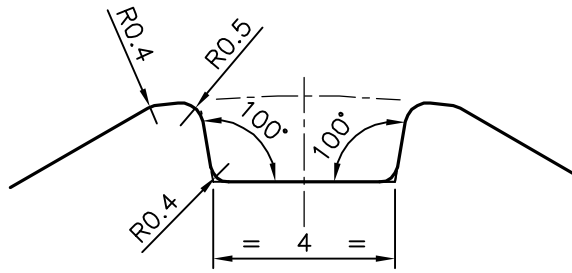


P-13974

S4248

29582



ISSUE-2

DIMENSION CHANGED FROM  $\phi 25$  mm TO  $\phi 27$  mm,

WEIGHT ALSO CHANGED FROM 3.401 TO 3.181 kg/m



SYMBOL OF QUALITY  
AN ISO 9001 COMPANY

**JINDAL ALUMINIUM LTD.**  
BANGALORE-560073 (INDIA)

	NAME	DATE
DRAWN	J.P.KAUSHIK	09-01-2018
CHECKED		
APPROVED	B.NATARAJ	05-02-2018
SCALE		1:1
AREA mm <sup>2</sup>		1178.038
PERIMETER mm.		167.659
WEIGHT kg/m		3.181
DRAWING No.	SECTION No.	
P-13974	-	
S4248	S4248	
29582	29582(ISSUE-2)	

1. ALL DIMENSIONS ARE IN mm.
2. ROUND OFF ALL SHARP CORNERS WITH 0.40 mm.
3. TOLERANCES WILL BE AS PER IS:6477-1983 UNLESS OTHERWISE SPECIFIED

PARTY'S NAME	BRITISH ENGINES INDIA PVT. LTD., BANGALORE
PARTY'S DRAWING No.	AS PER DRAWING
ALLOY & TEMPER	6262 T6
DESCRIPTION	HEXAGONAL TUBE