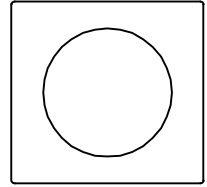
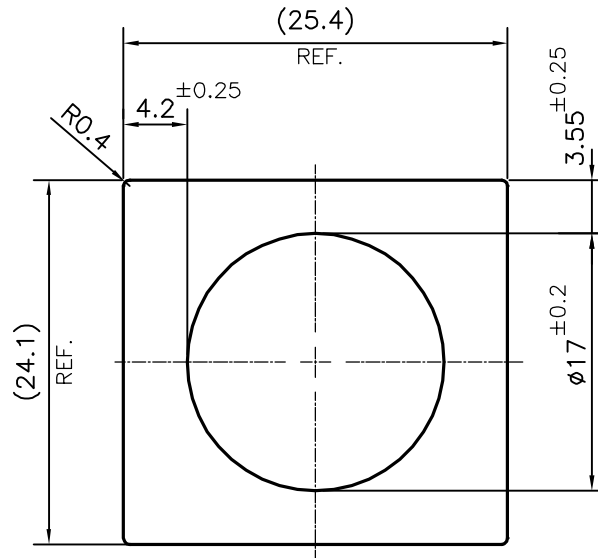


P-14626-2

29592



SCALE: - 1:1



SYMBOL OF QUALITY
AN ISO 9001 COMPANY

JINDAL ALUMINIUM LTD.
BANGALORE-560073 (INDIA)

	NAME	DATE
DRAWN	PARVESH	15-05-2015
CHECKED		
APPROVED	S.S.GARG	05-06-2015
SCALE		2:1
AREA mm ²		384.662
PERIMETER mm.		97.798
WEIGHT kg/m		1.039
DRAWING No.		SECTION No.
P-14626-2		-
29592		29592

1. ALL DIMENSIONS ARE IN mm.
2. ROUND OFF ALL SHARP CORNERS WITH 0.40 mm.
3. TOLERANCES WILL BE AS PER IS:6477-1983 , UNLESS OTHERWISE SPECIFIED

PARTY'S NAME	GENERAL CATEGORY, BANGALORE MARKET
PARTY'S DRAWING No.	AS PER DRAWING
ALLOY & TEMPER	HE30 WP
DESCRIPTION	MISC. TUBE