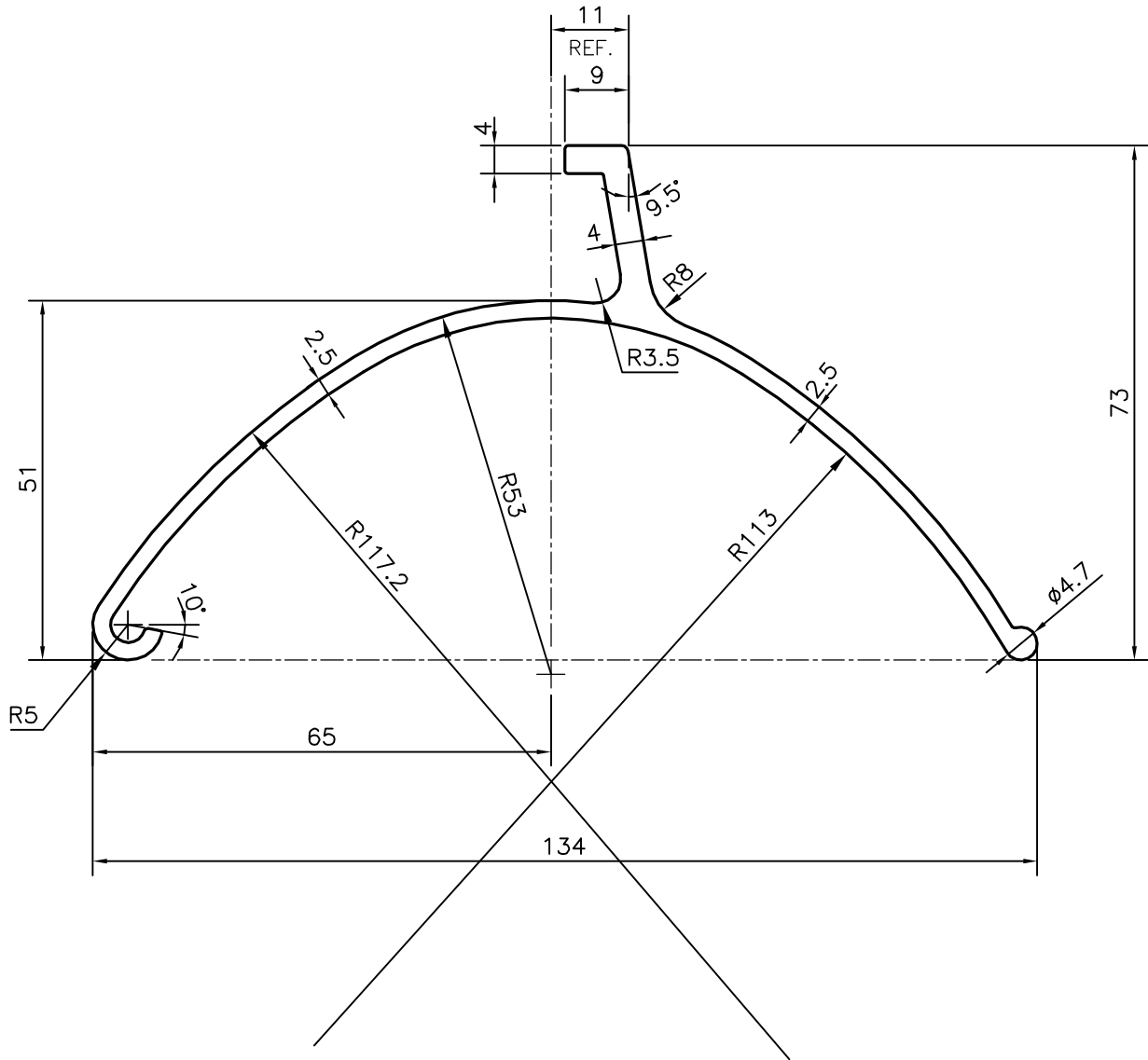


P-14870

29603



SYMBOL OF QUALITY  
AN ISO 9001 COMPANY

**JINDAL ALUMINIUM LTD.**  
BANGALORE-560073 (INDIA)

	NAME	DATE
DRAWN	J.P.KAUSHIK	27-06-2015
CHECKED		
APPROVED	S.S.GARG	11-07-2015
SCALE		1:1
AREA	mm <sup>2</sup>	580.825
PERIMETER	mm.	418.343
WEIGHT	kg/m	1.568
DRAWING No.	SECTION No.	
P-14870	-	
29603	29603	

1. ALL DIMENSIONS ARE IN mm.
2. ROUND OFF ALL SHARP CORNERS WITH 0.4 mm.
3. TOLERANCES WILL BE AS PER IS:3965-1981, UNLESS OTHERWISE SPECIFIED

PARTY'S NAME	GENERAL CATEGORY, DELHI MARKET
PARTY'S DRAWING No.	AS PER SAMPLE
ALLOY & TEMPER	HE9 WP
DESCRIPTION	MISC. SECTION