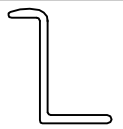


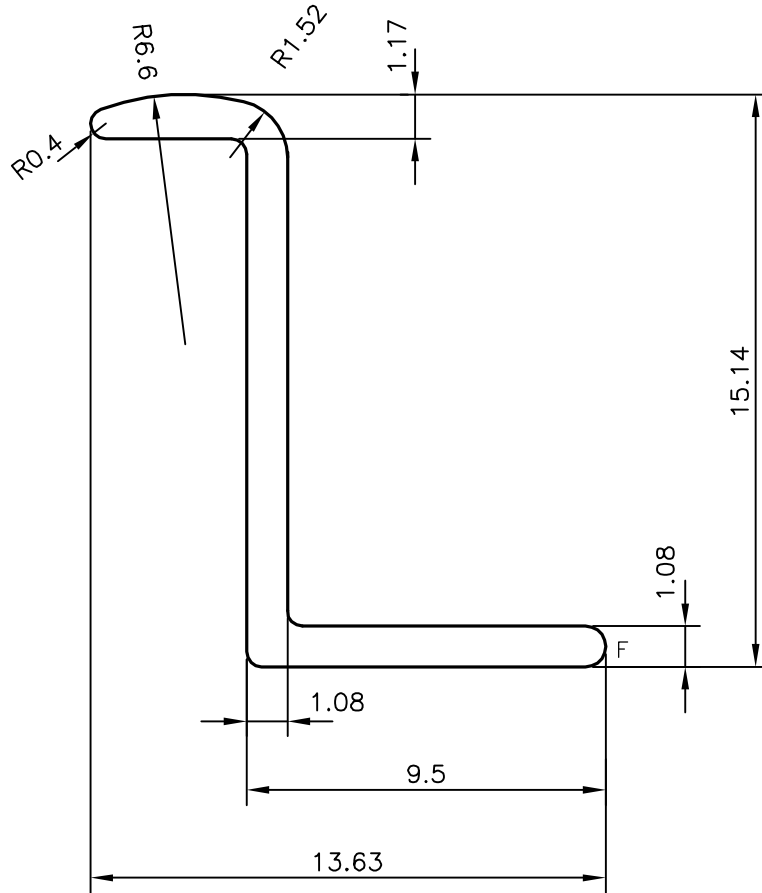
P-10971-1

X1504

29620



1:1



F = FULL RADIUS



SYMBOL OF QUALITY
AN ISO 9001 COMPANY

JINDAL ALUMINIUM LTD.
BANGALORE-560073 (INDIA)

	NAME	DATE
DRAWN	J.P.KAUSHIK	24-05-2011
CHECKED		
APPROVED	S.S.GARG	04-06-2011
SCALE		5:1
AREA mm ²		28.985
PERIMETER mm.		55.25
WEIGHT kg/m		0.078
DRAWING No.	SECTION No.	
P-10971-1	-	
X1504	X1504	
29620	29620	

1. ALL DIMENSIONS ARE IN mm.
2. ROUND OFF ALL SHARP CORNERS WITH 0.40 mm.
3. TOLERANCES WILL BE AS PER, BS:EN-755-9 UNLESS OTHERWISE SPECIFIED

PARTY'S NAME	TRIANGLE MARINE SERVICES, UAE
PARTY'S DRAWING No.	AS PER DRAWING
ALLOY & TEMPER	6063 T6
DESCRIPTION	DOOR JAMB 10 mm