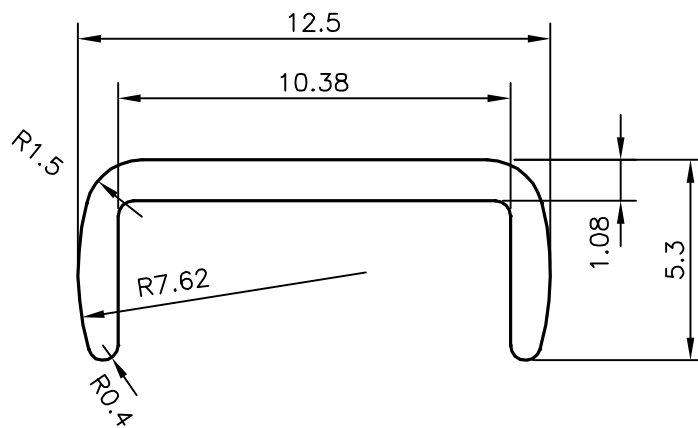
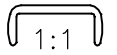


P-10972-1

X1505

29621



SYMBOL OF QUALITY
AN ISO 9001 COMPANY

JINDAL ALUMINIUM LTD.
BANGALORE-560073 (INDIA)

	NAME	DATE
DRAWN	J.P.KAUSHIK	24-05-2011
CHECKED		
APPROVED	S.S.GARG	04-06-2011

1. ALL DIMENSIONS ARE IN mm.
2. ROUND OFF ALL SHARP CORNERS WITH 0.40 mm.
3. TOLERANCES WILL BE AS PER, BS:EN-755-9 UNLESS OTHERWISE SPECIFIED

SCALE	5:1
AREA mm ²	20.21
PERIMETER mm.	40.903
WEIGHT kg/m	0.055

PARTY'S NAME	TRIANGLE MARINE SERVICES, UAE	DRAWING No.	P-10972-1	SECTION No.	-
PARTY'S DRAWING No.	AS PER DRAWING	X1505	X1505		
ALLOY & TEMPER	6063 T6	29621	29621		
DESCRIPTION	END CAP 10 mm				