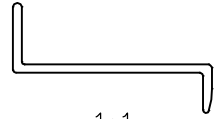


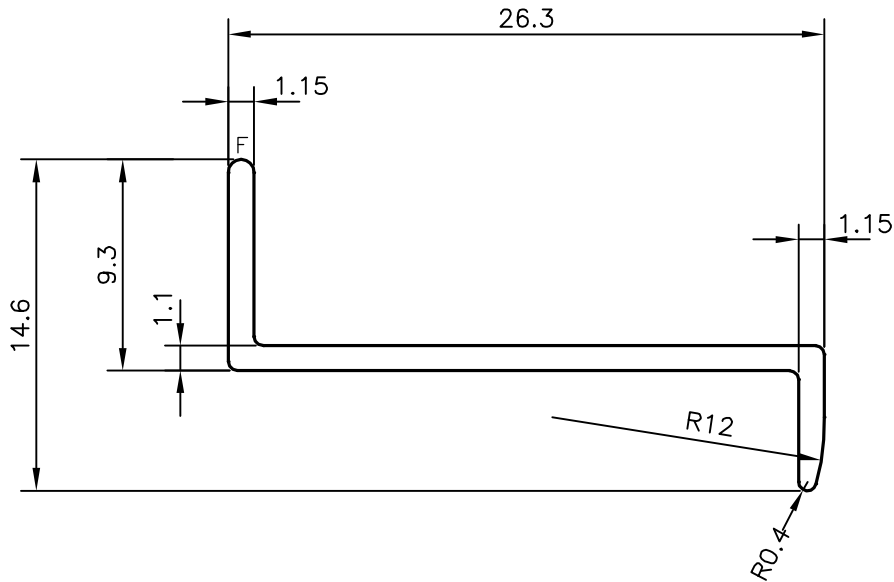
P-10975

X1508

29624



1:1



F= FULL RADIUS



SYMBOL OF QUALITY  
AN ISO 9001 COMPANY

**JINDAL ALUMINIUM LTD.**  
BANGALORE-560073 (INDIA)

	NAME	DATE
DRAWN	J.P.KAUSHIK	20-05-2011
CHECKED		
APPROVED	S.S.GARG	04-06-2011
SCALE		3:1
AREA mm <sup>2</sup>		43.788
PERIMETER mm.		79.955
WEIGHT kg/m		0.118
DRAWING No.	SECTION No.	
P-10975	-	
X1508	X1508	
29624	29624	

1. ALL DIMENSIONS ARE IN mm.
2. ROUND OFF ALL SHARP CORNERS WITH 0.40 mm.
3. TOLERANCES WILL BE AS PER, BS:EN-755-9 UNLESS OTHERWISE SPECIFIED

PARTY'S NAME	TRIANGLE MARINE SERVICES, UAE
PARTY'S DRAWING No.	AS PER DRAWING
ALLOY & TEMPER	6063 T6
DESCRIPTION	DOOR JAMB 20 mm