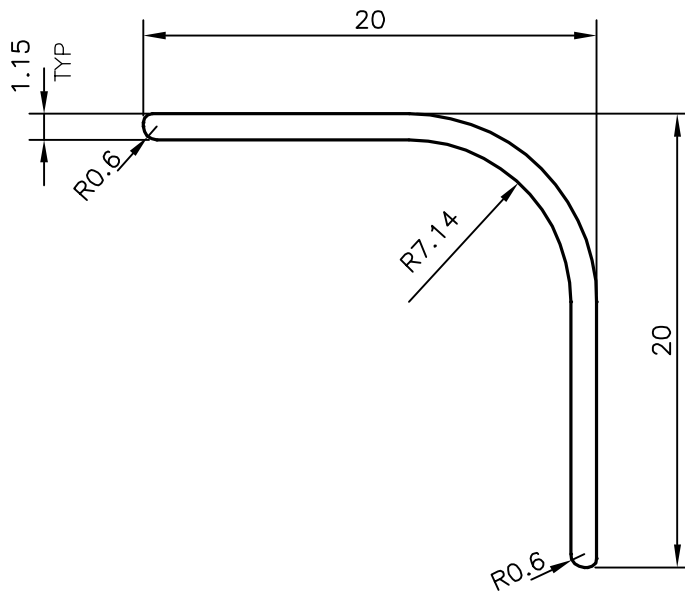
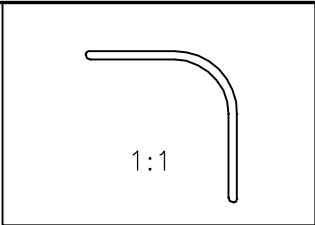



P-10976
X1509
29625



 SYMBOL OF QUALITY AN ISO 9001 COMPANY	JINDAL ALUMINIUM LTD. BANGALORE-560073 (INDIA)	NAME		DATE
		DRAWN	J.P.KAUSHIK	20-05-2011
1. ALL DIMENSIONS ARE IN mm. 2. ROUND OFF ALL SHARP CORNERS WITH 0.40 mm. 3. TOLERANCES WILL BE AS PER, BS:EN-755-9 UNLESS OTHERWISE SPECIFIED		CHECKED		
		APPROVED		S.S.GARG
PARTY'S NAME		SCALE		3:1
		AREA mm ²		40.646
PARTY'S DRAWING No.		PERIMETER mm.		72.519
		WEIGHT kg/m		0.11
ALLOY & TEMPER		DRAWING No.		SECTION No.
		P-10976		-
DESCRIPTION		X1509		X1509
		29625		29625
CORNER TRIM				