

P-10980-2

X1513

29629



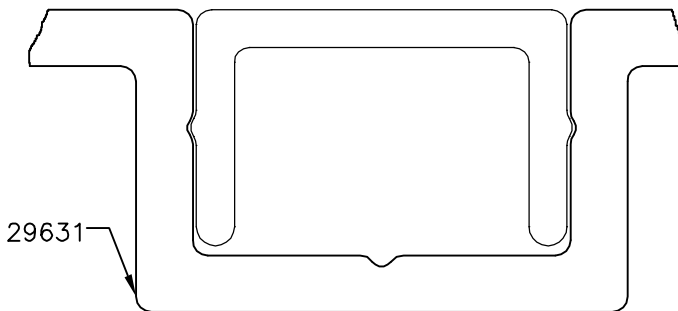
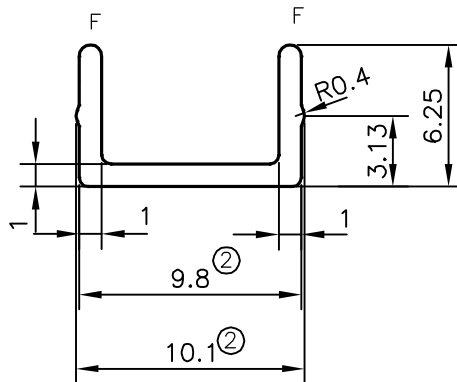
1:1

ISSUE-2

SHAPE CHANGED & DIMENSIONS CHANGED FROM 9.5 TO 9.8 mm,
TOLERANCE REMOVED ON 10.1 mm DIMENSIONS

ISSUE-3

SHAPE CHANGED



F = FULL RADIUS (2 PLACES)



SYMBOL OF QUALITY
AN ISO 9001 COMPANY

JINDAL ALUMINIUM LTD.
BANGALORE-560073 (INDIA)

	NAME	DATE
DRAWN	J.P.KAUSHIK	10-04-2012
CHECKED		
APPROVED	S.S.GARG	16-04-2012
SCALE		3:1
AREA mm ²		20.225
PERIMETER mm.		41.181
WEIGHT kg/m		0.055
DRAWING No.	SECTION No.	
P-10980-2	-	
X1513	X1513(ISSUE-3)	
29629	29629	

1. ALL DIMENSIONS ARE IN mm.
2. ROUND OFF ALL SHARP CORNERS WITH 0.40 mm.
3. TOLERANCES WILL BE AS PER, BS:EN-755-9 UNLESS OTHERWISE SPECIFIED

PARTY'S NAME	TRIANGLE MARINE SERVICES, UAE
PARTY'S DRAWING No.	AS PER DRAWING
ALLOY & TEMPER	6063 T6
DESCRIPTION	OMEGA CHANNEL CAPPING