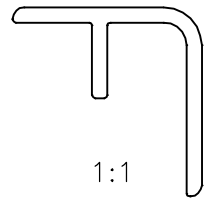


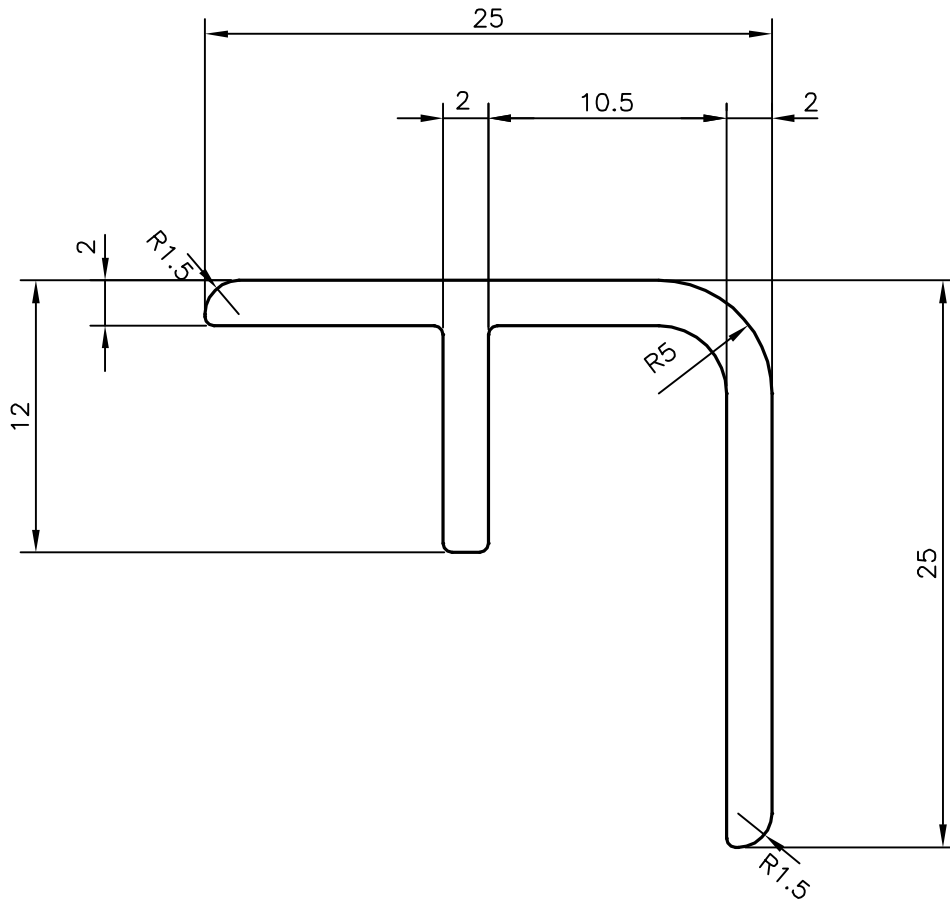
P-10981

X1514

29630



1:1



SYMBOL OF QUALITY
AN ISO 9001 COMPANY

JINDAL ALUMINIUM LTD.
BANGALORE-560073 (INDIA)

	NAME	DATE
DRAWN	J.P.KAUSHIK	20-05-2011
CHECKED		
APPROVED	S.S.GARG	04-06-2011

1. ALL DIMENSIONS ARE IN mm.
2. ROUND OFF ALL SHARP CORNERS WITH 0.40 mm.
3. TOLERANCES WILL BE AS PER, BS:EN-755-9 UNLESS OTHERWISE SPECIFIED

SCALE	3:1
AREA mm ²	111.532
PERIMETER mm.	114.249
WEIGHT kg/m	0.301

PARTY'S NAME TRIANGLE MARINE SERVICES, UAE

PARTY'S DRAWING No. AS PER DRAWING

ALLOY & TEMPER 6063 T6

DESCRIPTION 90° OUTSIDE CORNER

DRAWING No.	SECTION No.
P-10981	-
X1514	X1514
29630	29630