

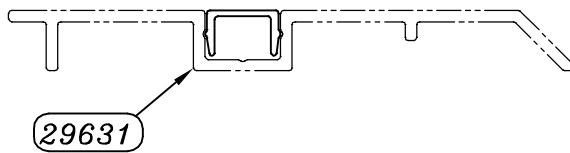
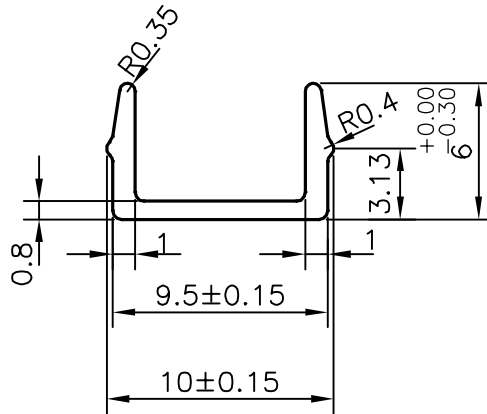
P-11765-1

X1595

29632



1:1



SYMBOL OF QUALITY
AN ISO 9001 COMPANY

JINDAL ALUMINIUM LTD.
BANGALORE-560073 (INDIA)

| | NAME | DATE |
|----------|-------------|------------|
| DRAWN | J.P.KAUSHIK | 25-05-2012 |
| CHECKED | | |
| APPROVED | J.N.RAI | 02-06-2012 |

1. ALL DIMENSIONS ARE IN mm.
2. ROUND OFF ALL SHARP CORNERS WITH 0.40 mm.
3. TOLERANCES WILL BE AS PER,BS:EN-755-9 UNLESS OTHERWISE SPECIFIED

| | |
|----------------------|--------|
| SCALE | 3:1 |
| AREA mm ² | 17.392 |
| PERIMETER mm. | 39.835 |
| WEIGHT kg/m | 0.047 |

| PARTY'S NAME | TRIANGLE MARINE, UAE | DRAWING No. | SECTION No. |
|---------------------|-----------------------|-------------|-------------|
| PARTY'S DRAWING No. | P-0512-1-0 | P-11765-1 | - |
| ALLOY & TEMPER | 6063 T6 | X1595 | X1595 |
| | | 29632 | 29632 |
| DESCRIPTION | OMEGA CHANNEL CAPPING | | |