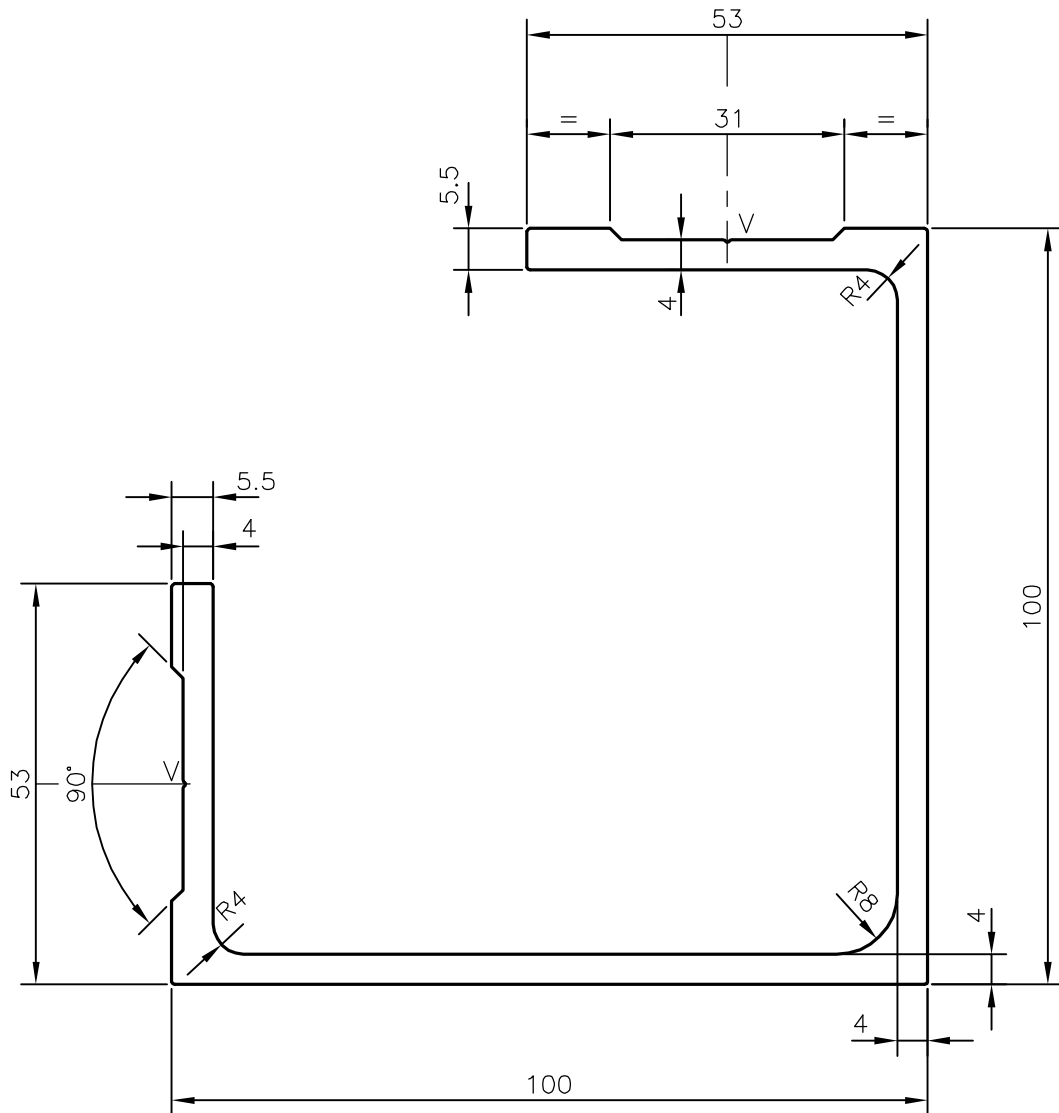


P-13385

S4021

29639



V = V GROOVE 0.3x90° (2 PLACES)



SYMBOL OF QUALITY
AN ISO 9001 COMPANY

JINDAL ALUMINIUM LTD.
BANGALORE-560073 (INDIA)

	NAME	DATE
DRAWN	J.P.KAUSHIK	28-01-2014
CHECKED		
APPROVED	S.S.GARG	10-02-2014
SCALE		1:1
AREA mm ²		1254.526
PERIMETER mm.		590.793
WEIGHT kg/m		3.387
DRAWING No.	SECTION No.	
P-13385	-	
S4021	S4021	
29639	29639	

1. ALL DIMENSIONS ARE IN mm.
2. ROUND OFF ALL SHARP CORNERS WITH 0.40 mm.
3. TOLERANCES WILL BE AS PER IS:3965-1981 UNLESS OTHERWISE SPECIFIED

PARTY'S NAME	PLASTECH CONSTRUCTION TECHNOLOGIES INDIA PVT. LTD., BANGALORE
PARTY'S DRAWING No.	AS PER SAMPLE
ALLOY & TEMPER	6082 T6
DESCRIPTION	MISC. SECTION