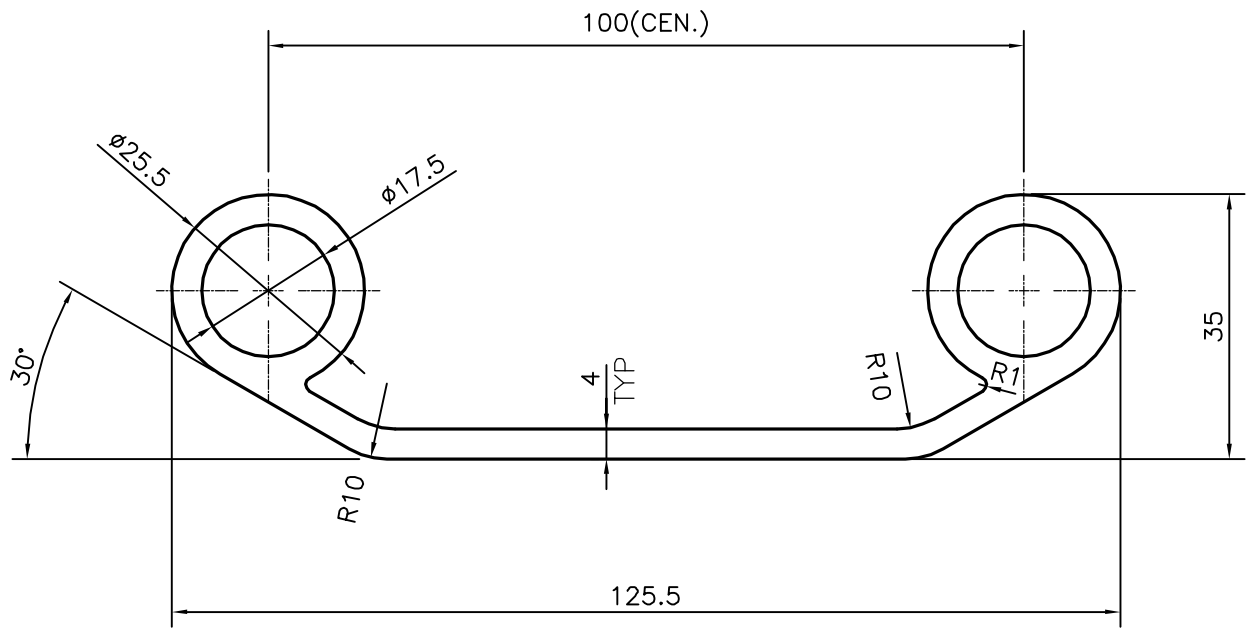


P-16418

29650



SYMBOL OF QUALITY  
AN ISO 9001 COMPANY

**JINDAL ALUMINIUM LTD.**  
BANGALORE-560073 (INDIA)

	NAME	DATE
DRAWN	J.P.KAUSHIK	01-10-2016
CHECKED		
APPROVED	B.NATARAJ	15-10-2016
SCALE		1:1
AREA mm <sup>2</sup>		957.361
PERIMETER mm.		349.792
WEIGHT kg/m		2.585
DRAWING No.	SECTION No.	
P-16418	-	
29650	29650	

1. ALL DIMENSIONS ARE IN mm.
2. ROUND OFF ALL SHARP CORNERS WITH 0.40 mm.
3. TOLERANCES WILL BE AS PER, IS:6477-1983 UNLESS OTHERWISE SPECIFIED

PARTY'S NAME	GENERAL CATEGORY, DELHI MARKET
PARTY'S DRAWING No.	AS PER DRAWING
ALLOY & TEMPER	HE9 WP
DESCRIPTION	MISC. SECTION