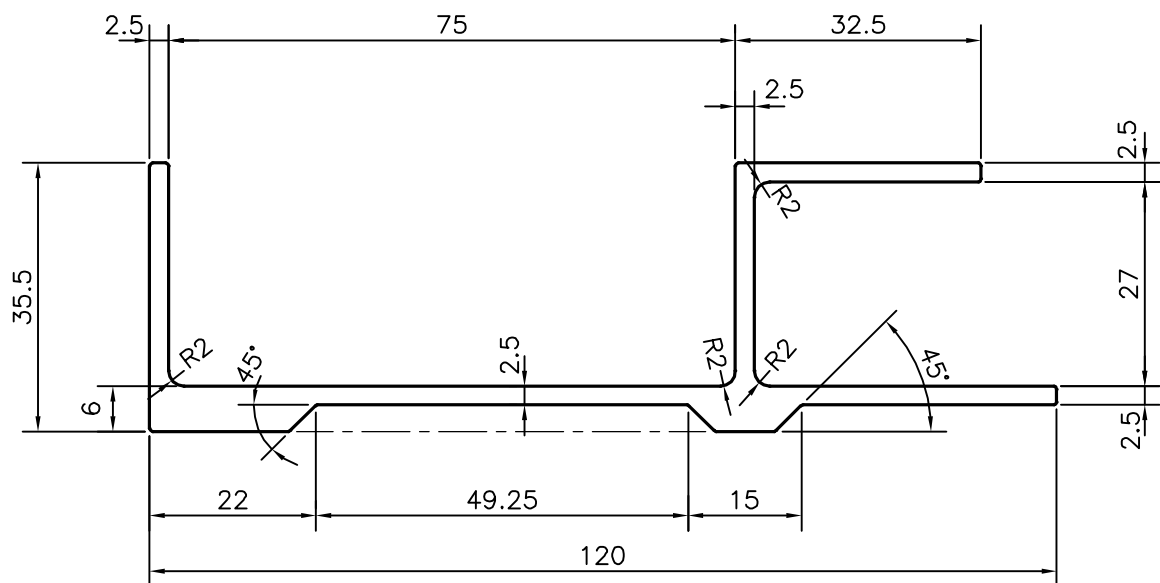


P-17735

29669



SYMBOL OF QUALITY
AN ISO 9001 COMPANY

JINDAL ALUMINIUM LTD.
BANGALORE-560073 (INDIA)

	NAME	DATE
DRAWN	J.P.KAUSHIK	23-12-2017
CHECKED		
APPROVED	B.NATARAJA	11-01-2018
SCALE		1:1
AREA mm ²		636.784
PERIMETER mm.		425.939
WEIGHT kg/m		1.719
DRAWING No.	SECTION No.	
P-17735	-	
29669	29669	

1. ALL DIMENSIONS ARE IN mm.
2. ROUND OFF ALL SHARP CORNERS WITH 0.40 mm.
3. TOLERANCES WILL BE AS PER, IS:3965-1981 UNLESS OTHERWISE SPECIFIED

PARTY'S NAME GENERAL CATEGORY, COCHIN MARKET

PARTY'S DRAWING No. AS PER DRAWING

ALLOY & TEMPER HE9 WP

DESCRIPTION MISC. SECTION