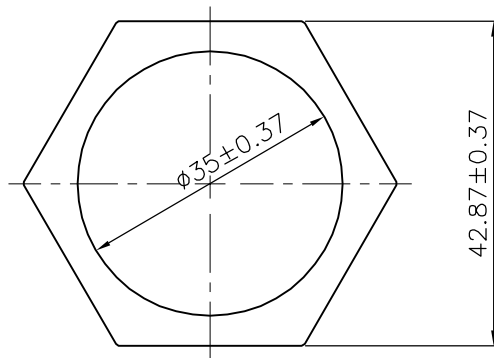


P-16283-1

S5077

29677



SYMBOL OF QUALITY  
AN ISO 9001 COMPANY

**JINDAL ALUMINIUM LTD.**  
BANGALORE-560073 (INDIA)

	NAME	DATE
DRAWN	J.P.KAUSHIK	01-09-2016
CHECKED		
APPROVED	S.S. GARG	03-09-2016

1. ALL DIMENSIONS ARE IN mm.
2. ROUND OFF ALL SHARP CORNERS WITH 0.40 mm.
3. TOLERANCES WILL BE AS PER IS:6477-1983 UNLESS OTHERWISE SPECIFIED

SCALE	1:1
AREA mm <sup>2</sup>	629.449
PERIMETER mm.	148.248
WEIGHT kg/m	1.700

PARTY'S NAME VMX CONNECTORS PVT. LTD., BANGALORE

DRAWING No.	SECTION No.
P-16283-1	-
S5077	S5077
29677	29677

PARTY'S DRAWING No. AS PER SPECIFICATION

ALLOY & TEMPER 6061 T6

DESCRIPTION HEXAGONAL TUBE