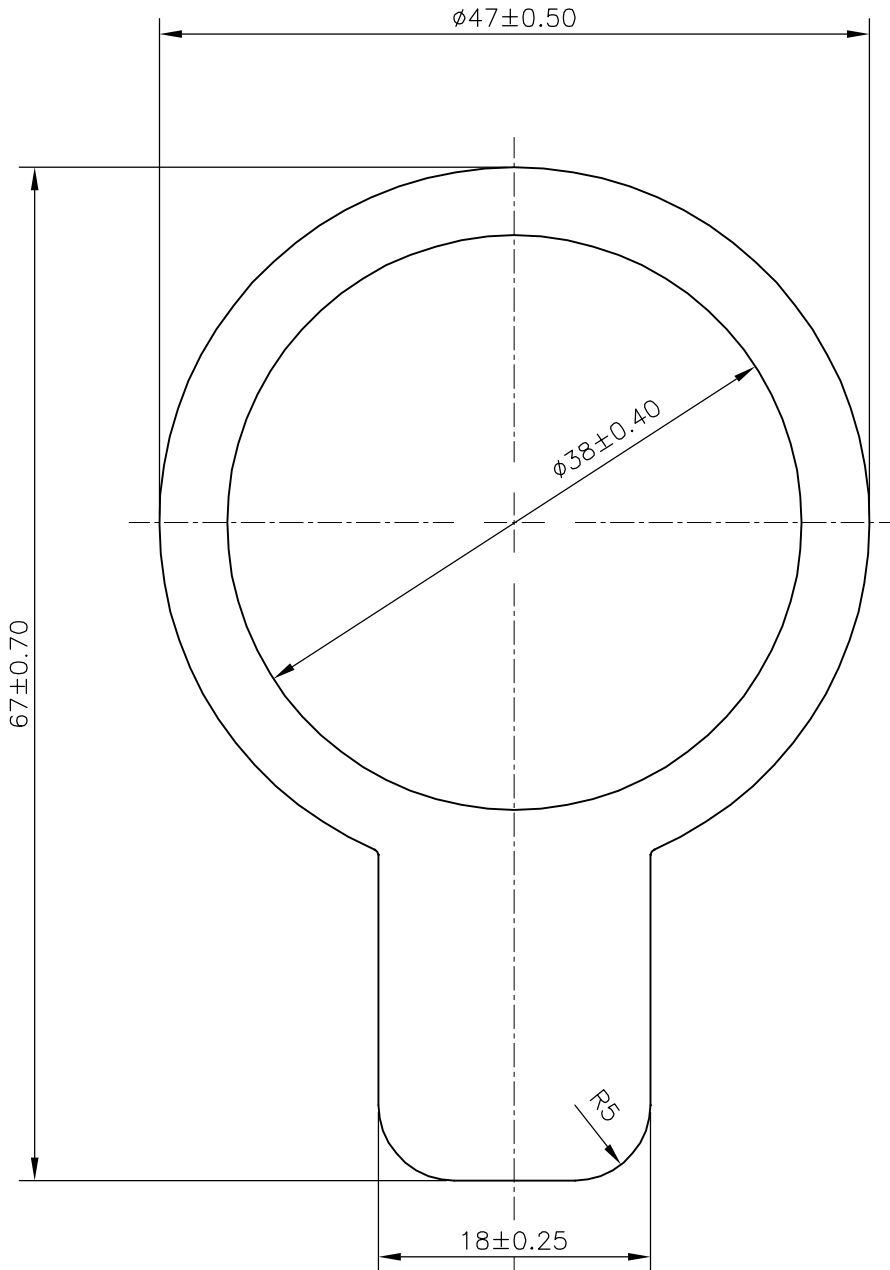
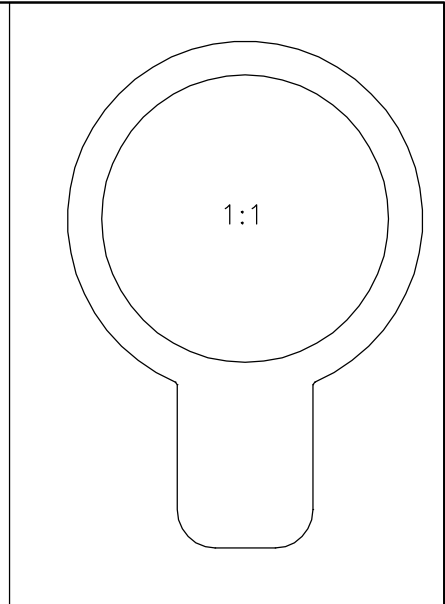


P-18979

29680



SYMBOL OF QUALITY
AN ISO 9001 COMPANY

JINDAL ALUMINIUM LTD.
BANGALORE-560073 (INDIA)

	NAME	DATE
DRAWN	J.P.KAUSHIK	22-12-2018
CHECKED		
APPROVED	B.NATARAJA	07-01-2019
SCALE		2:1
AREA mm ²		960.705
PERIMETER mm.		186.35
WEIGHT kg/m		2.594
DRAWING No.	SECTION No.	
P-18979	-	
29680	29680	

1. ALL DIMENSIONS ARE IN mm.
2. ROUND OFF ALL SHARP CORNERS WITH 0.40 mm.
3. TOLERANCES WILL BE AS PER IS:6477-1983 , UNLESS OTHERWISE SPECIFIED

PARTY'S NAME	GENERAL CATEGORY, DELHI MARKET
PARTY'S DRAWING No.	AS PER DRAWING
ALLOY & TEMPER	6061 T6
DESCRIPTION	MISC. TUBE SECTION